




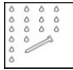
Staple type: KL 6000
 18 GAUGE STAPLES NARROW CROWN
 Wire Ø: 1.18mm

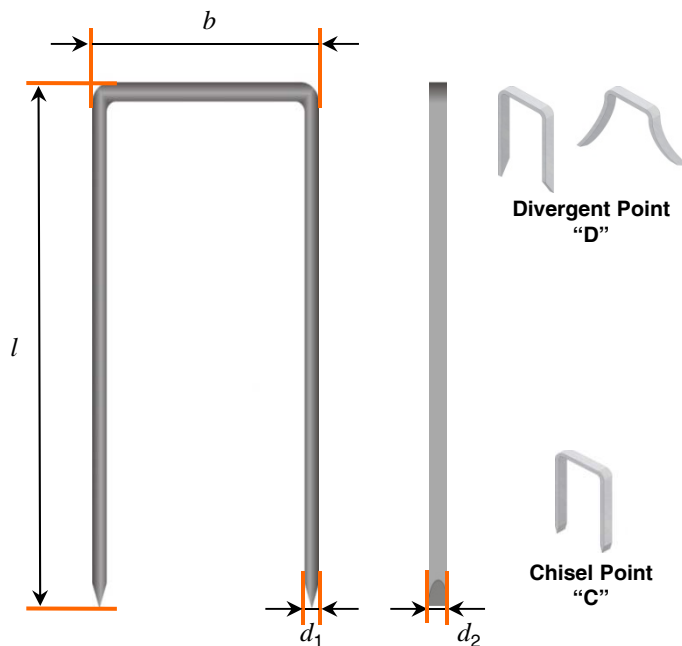
Suitable for the following tools*:

haubold PN 6040 (L1)
 PN 6040 A
 Paslode MDS 1830 / 1840
**please check staple length compatibility with each tool before use*

Staple lengths available: 12mm – 40mm
 Staples per strip: 104

CORROSION PROTECTION

Finish	Usage Environment	Label Colour on Packaging
Zinc Galv 2-3µm	INDOOR 	Blue
Stainless Steel A2 AISI 304 / WNr 1.4301	INDOOR, COVERED OUTDOOR & OUTDOOR 	Yellow



STAPLE PROPERTIES / DIMENSIONS

Tensile strength of wire: min 900 N/mm²
 Nominal diameter (d): 1.18mm
 Flattened wire dimension: (d_1): 1.00mm
 (d_2): 1.25mm
 Outside crown width (b): 5.70mm
 Strip length: approx 128.00mm
 Standard point: "C"
 Coated leg length: Full

STAPLE LENGTHS AVAILABLE*

Finish	Lengths Available <small>*Other lengths on request</small>
Zinc Galv 2-3µm	12mm, 15mm, 18mm, 20mm, 25mm 32mm, 35mm, 40mm
Stainless Steel A2 AISI 304 / WNr 1.4301	22mm, 35mm, 40mm

haubold is a brand of the ITW Group. ITW reserves the right to change specification without notice. All design using this data should be carried out by a qualified structural engineer, subject to relevant National and European standards or regulations.