

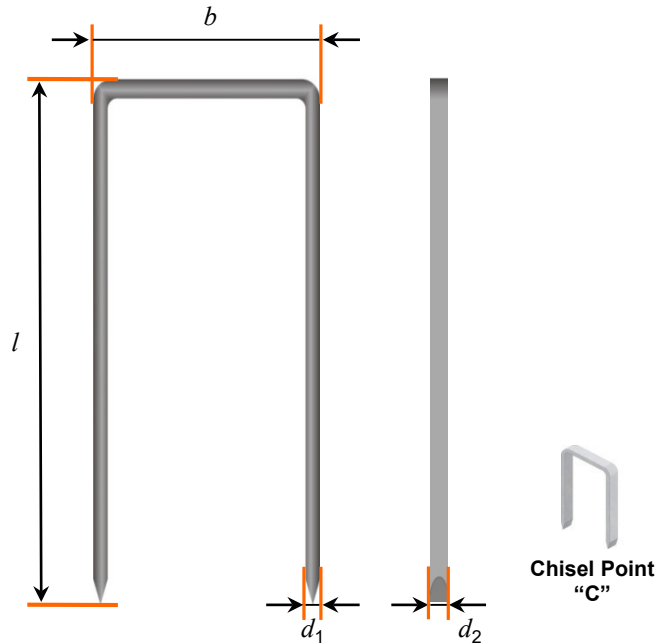
Suitable for the following tools*:

haubold PN9180 XII
Toolmatic S520, S540, S640
**please check staple length compatibility with each tool before use*

Staple lengths available: 50mm – 120mm
Staples per strip: up to 80mm = 57
90-120mm = 40

CORROSION PROTECTION

Finish	Usage Environment	Label Colour on Packaging
Zinc Galv 12µm	Service Class 1 & 2 INDOOR & COVERED OUTDOOR	Purple
Stainless Steel A2 AISI 304 / WNr 1.4301	Service Class 1,2 & 3 INDOOR, COVERED OUTDOOR & OUTDOOR	Yellow



STAPLE PROPERTIES / DIMENSIONS

Tensile strength of wire: min 900 N/mm²
Nominal diameter (d): 2.00mm
Flattened wire dimension: (d₁): 1.80mm
(d₂): 2.08mm
Outside crown width (b): 11.8mm
Strip length: app 121.40mm (57/strip)
app 85.20mm (40/strip)
Standard point: "C"
Coating type: Type 3, resin
Coated leg length: Full

Zinc Galv 12µm staples are produced from non-alloy steel rods according to EN ISO 16120; Stainless Steel A2 staples are produced from austenitic stainless steel rods according to EN 10088.

CHARACTERISTIC PARAMETERS FOR CALCULATION TO EUROCODE 5

Head pull-through f _{head,k} [N/mm ²]	Withdrawal f _{ax,k} [N/mm ²]	Yield moment M _{y,Rk} [Nmm]
26,00	5,50	1230

- To obtain characteristic head pull-through capacity multiply parameter by outside crown width *b* and nominal diameter *d*
- For withdrawal capacity multiply parameter by base material embedment and nominal diameter *d* for each staple leg
- Values based on characteristic wood density of 350kg/m³ and on crown angle of ≥ 30° to the grain

Minimum embedment in substructure is 14 times the diameter.
See Eurocode 5 for complete rules on designing timber connections.

STAPLE LENGTHS AVAILABLE*

Finish	Lengths Available <small>*Other lengths on request</small>
Zinc Galv 12µm	50mm, 65mm, 80mm, 90mm, 120mm
Stainless Steel A2 AISI 304 / WNr 1.4301	50mm