

**Suitable for the following tools\*:**

haubold PN29130  
PN29180

Toolmatic S640

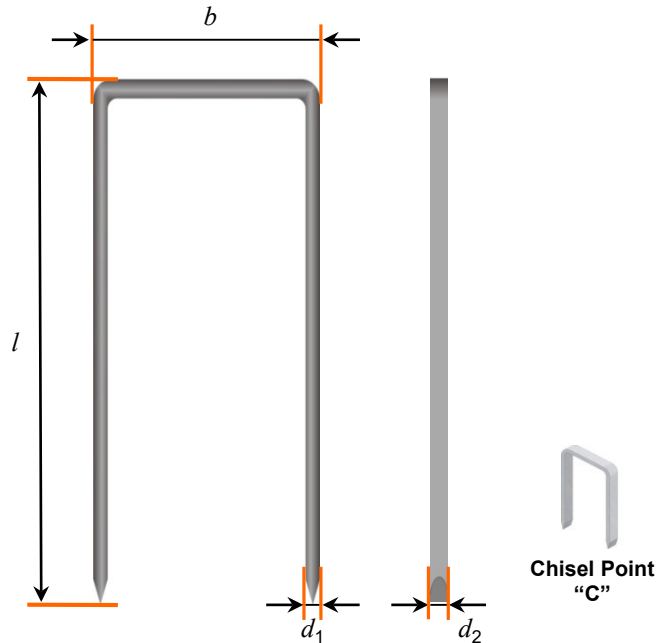
\*please check staple length compatibility with each tool before use

Staple lengths available: 70mm – 160mm  
for >160mm see separate data sheet

Staples per strip: 40

**CORROSION PROTECTION**

Finish	Usage Environment	Label Colour on Packaging
Zinc Galv 12µm	Service Class 1 & 2 INDOOR & COVERED OUTDOOR	Purple
Stainless Steel A2 AISI 304 / WNr 1.4301	Service Class 1,2 & 3 INDOOR, COVERED OUTDOOR & OUTDOOR	Yellow



**STAPLE PROPERTIES / DIMENSIONS**

Tensile strength of wire:	min 900 N/mm <sup>2</sup>
Nominal diameter (d):	2.00mm
Flattened wire dimension:	(d <sub>1</sub> ): 1.80mm (d <sub>2</sub> ): 2.08mm
Outside crown width (b):	27.0mm
Strip length:	approx 85.20mm
Standard point:	“C”
Coating type:	Type 3, resin
Coated leg length:	≤ 85mm = Full > 85mm = l -30mm

**CHARACTERISTIC PARAMETERS FOR CALCULATION TO EUROCODE 5**

Head pull-through f <sub>head,k</sub> [N/mm <sup>2</sup> ]	Withdrawal f <sub>ax,k</sub> [N/mm <sup>2</sup> ]	Yield moment M <sub>y,Rk</sub> [Nmm]
34,00	5,50	1230

- To obtain characteristic head pull-through capacity multiply parameter by outside crown width *b* and nominal diameter *d*
- For withdrawal capacity multiply parameter by base material embedment and nominal diameter *d* for each staple leg
- Values based on characteristic wood density of 350kg/m<sup>3</sup> and on crown angle of ≥ 30° to the grain

Minimum embedment in substructure is 14 times the diameter.  
See Eurocode 5 for complete rules on designing timber connections.

**STAPLE LENGTHS AVAILABLE\***

Finish	Lengths Available *Other lengths on request
Zinc Galv 12µm	75mm, 100mm, 110mm, 120mm 130mm, 150mm, 160mm
Stainless Steel A2 AISI 304 / WNr 1.4301	70mm, 75mm, 85mm, 90mm, 100mm, 105mm 110mm, 120mm, 130mm, 150mm, 160mm

haubold is a brand of the ITW Group. ITW reserves the right to change specification without notice. All design using this data should be carried out by a qualified structural engineer, subject to relevant National and European standards or regulations.