



Einfach. Sicher.



DECLARATION OF PERFORMANCE

DoP: 0042

for Upat Express Anchor IMC (Metal anchors for use in concrete (heavy-duty type)) – EN

1. Unique identification code of the product-type: **DoP: 0042**
2. Intended use/es: **Post-installed fastening in uncracked concrete, see appendix, especially Annexes B 1 to B 3**
3. Manufacturer: **Upat Vertriebs GmbH, Bebelstraße 11, 79108 Freiburg im Breisgau, Germany**
4. Authorised representative: --
5. System/s of AVCP: **1**
6. European Assessment Document: **EAD 330232-00-0601**

European Technical Assessment: **ETA-10/0169; 2017-08-22**

Technical Assessment Body: **DIBt**

Notified body/ies: **1343 – MPA Darmstadt**

7. Declared performance/s:

Mechanical resistance and stability (BWR 1)

- **Characteristic resistance for tension and shear loads in concrete: See appendix, especially Annexes C 1 to C 2**
- **Edge distances and spacing: See appendix, especially Annexes C 1 to C 2**
- **Displacements under tension and shear loads: See appendix, especially Annex C 3**

Safety in case of fire (BWR 2)

- **Reaction to fire: Anchorages satisfy requirements for Class A 1**
- **Resistance to fire: NPD**

8. Appropriate Technical Documentation and/or Specific Technical Documentation: ---

The performance of the product identified above is in conformity with the set of declared performance/s. This declaration of performance is issued, in accordance with Regulation (EU) No 305/2011, under the sole responsibility of the manufacturer identified above.

Signed for and on behalf of the manufacturer by:

Andreas Bucher, Dipl.-Ing.

Wolfgang Hengesbach, Dipl.-Ing., Dipl.-Wirtsch.-Ing.

Tumlingen, 2017-08-29

- This DoP has been prepared in different languages. In case there is a dispute on the interpretation the english version shall always prevail.
- The Appendix includes voluntary and complementary information in English language exceeding the (language-neutrally specified) legal requirements.

Specific Part**1 Technical description of the product**

The Upat Express Anchor IMC is an anchor made of zinc plated, hot-dip galvanised or stainless steel which is placed into a drilled hole and anchored by torque-controlled expansion.

The product description is given in Annex A.

2 Specification of the intended use in accordance with the applicable European Assessment Document

The performances given in Section 3 are only valid if the anchor is used in compliance with the specifications and conditions given in Annex B.

The verifications and assessment methods on which this European Technical Assessment is based lead to the assumption of a working life of the anchor of at least 50 years. The indications given on the working life cannot be interpreted as a guarantee given by the producer, but are to be regarded only as a means for choosing the right products in relation to the expected economically reasonable working life of the works.

3 Performance of the product and references to the methods used for its assessment**3.1 Mechanical resistance and stability (BWR 1)**

Essential characteristic	Performance
Characteristic resistance for tension and shear loads in concrete	See Annex C 1 and C 2
Edge distances and spacing	See Annex C 1 and C 2
Displacements under tension and shear loads	See Annex C 3

3.2 Safety in case of fire (BWR 2)

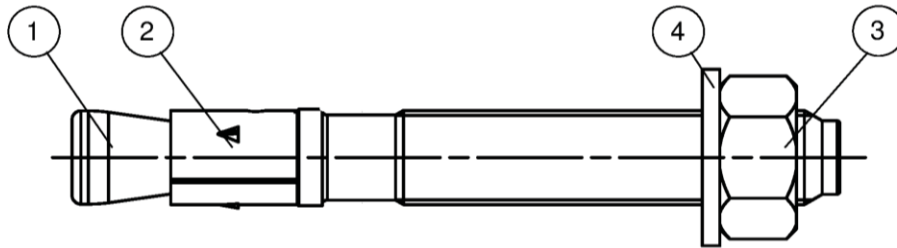
Essential characteristic	Performance
Reaction to fire	Anchorage satisfy requirements for Class A1
Resistance to fire	No performance assessed

4 Assessment and verification of constancy of performance (AVCP) system applied, with reference to its legal base

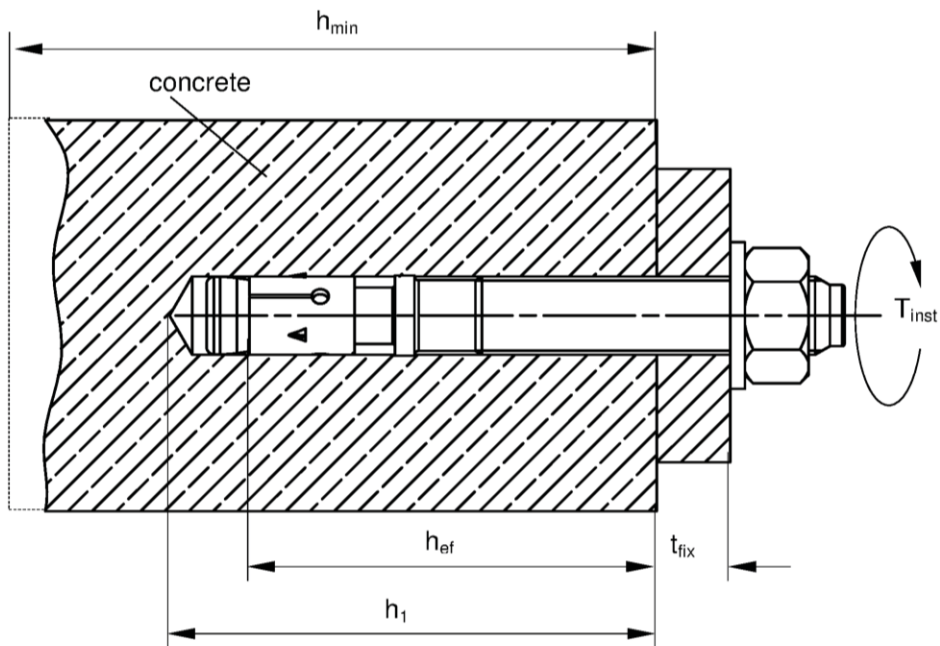
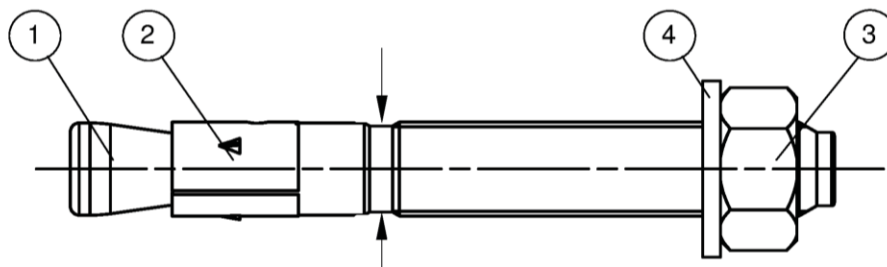
In accordance with European Assessment Documents EAD No. 330232-00-0601 the applicable European legal act is: [96/582/EC].

The system to be applied is: 1

Cone bolt manufactured by cold - forming:



Cone bolt manufactured by turning:



- ① Cone bolt (cold – formed or turned)
- ② Expansion sleeve
- ③ Hexagon nut
- ④ Washer

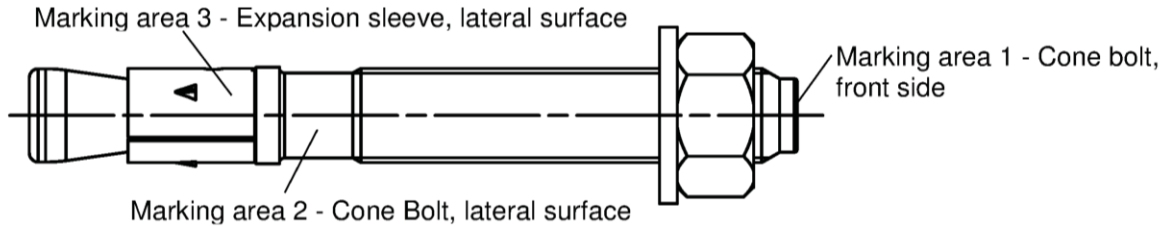
- h_{ef} = Effective anchorage depth
- t_{fix} = Thickness of fixture
- h_1 = Drill hole depth
- h_{min} = Thickness of concrete member
- T_{inst} = Required torque moment

Upat Anchor Bolt IMC

Product description
Installed condition

Annex A 1

IMC for use with standard and reduced anchorage depth ($h_{ef, sta}$ and $h_{ef, red}$)



Product marking, example:

U-IMC 12/10 A4

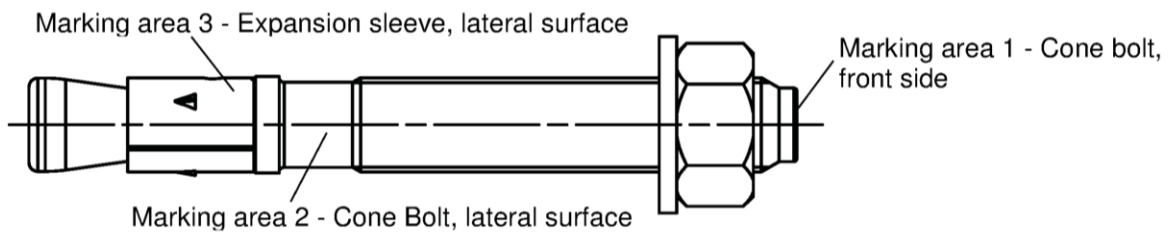
Plant identification | type of anchor placed on marking area 2 or marking area 3

thread size / thickness of fixture (t_{fix}) for $h_{ef, sta}$ identification A4 placed on marking area 2

Table A1: Letter-code on marking area 1 and maximum thickness of fixture t_{fix} :

marking	A	B	C	D	E	F	G	H	I	K	L	M	N	O	P	R	S	T	U	V	W	X	Y	Z	
max. t_{fix} for $h_{ef, sta}$	M6-M20	5	10	15	20	25	30	35	40	45	50	60	70	80	90	100	120	140	160	180	200	250	300	350	400
max. t_{fix} for $h_{ef, red}$	M8, M10	15	20	25	30	35	40	45	50	55	60	70	80	90	100	110	130	150	170	190	210	260	310	360	410
	M12, 16	20	25	30	35	40	45	50	55	60	65	75	85	95	105	115	135	155	175	195	215	265	315	365	415
	M20	30	35	40	45	50	55	60	65	70	75	85	95	105	115	125	145	165	185	205	225	275	325	375	425

IMC K for use with reduced anchorage depth only ($h_{ef, red}$):



Product marking, example:

U-IMC 12/10 K A4

Plant identification | type of anchor placed on marking area 2 or marking area 3

thread size / thickness of fixture (t_{fix}) identification K for $h_{ef, red}$ | identification A4 placed on marking area 2

Table A2: Letter-code on marking area 1 and maximum thickness of fixture t_{fix} :

marking	-A-	-B-	-C-	-D-	-E-	-F-	-G-	-H-	-I-	-K-	-L-	-M-	-N-	-O-	-P-	-R-	-S-	-T-	-U-	-V-	-W-	-X-	-Y-	-Z-	
max. t_{fix} for $h_{ef, red}$	M8-M20	5	10	15	20	25	30	35	40	45	50	60	70	80	90	100	120	140	160	180	200	250	300	350	400

Upat Anchor Bolt IMC

Product description
Anchor Types

Annex A 2

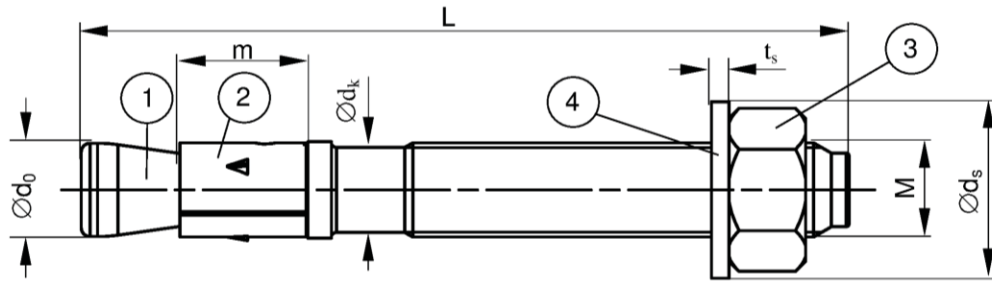


Table A3: Anchor dimensions [mm]

Part	Designation			IMC, IMCA4						
				M6	M8	M10	M12	M16	M20	
1	Cone bolt	M	=	M6	M8	M10	M12	M16	M20	
		Ø d ₀	=	5,9	7,9	9,9	11,9	15,9	19,6	
		Ø d _k	=	5,2	7,1	8,9	10,8	14,5	18,2	
2	Expansion sleeve	m	=	10	11,5	13,5	16,5	21,5	33,5	
3	Hexagon nut	SW	=	10	13	17	19	24	30	
4	Washer	t _s	≥	1,0	1,4	1,8	2,3	2,7	2,7	
		Ø d _s	≥	11,5	15	19	23	29	36	
Thickness of fixture		t _{fix}	≥	0	0	0	0	0	0	
			≤	200	200	250	300	400	500	
Length of anchor			L _{min}	-	45	56	71	86	120	139
			L _{max}	-	245	261	316	396	520	654

Upat Anchor Bolt IMC

Product description
Anchor dimensions

Annex A 3

Table A4: Materials IMC (zinc plated $\geq 5\mu\text{m}$, DIN EN ISO 4042: 2001-01)

Part	Designation	Material
1	Cone bolt	Cold form steel or free cutting steel
2	Expansion sleeve	Cold strip ¹⁾
3	Hexagon nut	Steel, property class 8
4	Washer	Cold strip

¹⁾ Optional stainless steel

Table A5: Materials IMC (hot-dip galvanized $\geq 50\mu\text{m}$, ISO 10684: 2004 ¹⁾)

Part	Designation	Material
1	Cone bolt	Cold form steel or free cutting steel
2	Expansion sleeve	Stainless steel
3	Hexagon nut	Steel, property class 8
4	Washer	Cold strip

¹⁾ Alternative method sherardized $\geq 50\mu\text{m}$, EN 13811:2003

Table A6: Materials IMC A4

Part	Designation	Material
1	Cone bolt	Stainless steel
2	Expansion sleeve	Stainless steel
3	Hexagon nut	Stainless steel, property class ≥ 70
4	Washer	Stainless steel

Upat Anchor Bolt IMC

Product description
Materials

Annex A 4

Specifications of intended use

Upat Anchor Bolt IMC, IMC A4		M6	M8	M10	M12	M16	M20
Material	Steel	Zinc plated		✓			
		Hot-dip galvanized		-	✓		
	Stainless steel	A4		✓			
Static and quasi-static loads				✓			
Reduced anchorage depth		-			✓		
Uncracked concrete				✓			

Base materials:

- Normal weight concrete according to EN 206-1:2000
- Strength classes C20/25 to C50/60 according to EN 206-1:2000

Use conditions (Environmental conditions):

- Structures subject to dry internal conditions (IMC, IMC A4)
- Structures subject to external atmospheric exposure (including industrial and marine environment) and to permanently damp internal condition, if no particular aggressive conditions exist (IMC A4)

Note: Particular aggressive conditions are e.g. permanent, alternating immersion in seawater or the splash zone of seawater, chloride atmosphere of indoor swimming pools or atmosphere with extreme chemical pollution (e.g. in desulphurization plants or road tunnels where deicing materials are used)

Design:

- Anchorages are to be designed under the responsibility of an engineer experienced in anchorages and concrete work
- Verifiable calculation notes and drawings are to be prepared taking account of the loads to be anchored. The position of the anchor is indicated on the design drawings (e.g. position of the anchor relative to reinforcement or to supports, etc.)
- Design of fastenings according to FprEN 1992-4: 2016 and EOTA Technical Report TR 055

Installation:

- Anchor installation carried out by appropriately qualified personnel and under the supervision of the person responsible for technical matters of the site
- Hammer or hollow drilling according to Annex B3

Upat Anchor Bolt IMC

Intended Use
Specifications

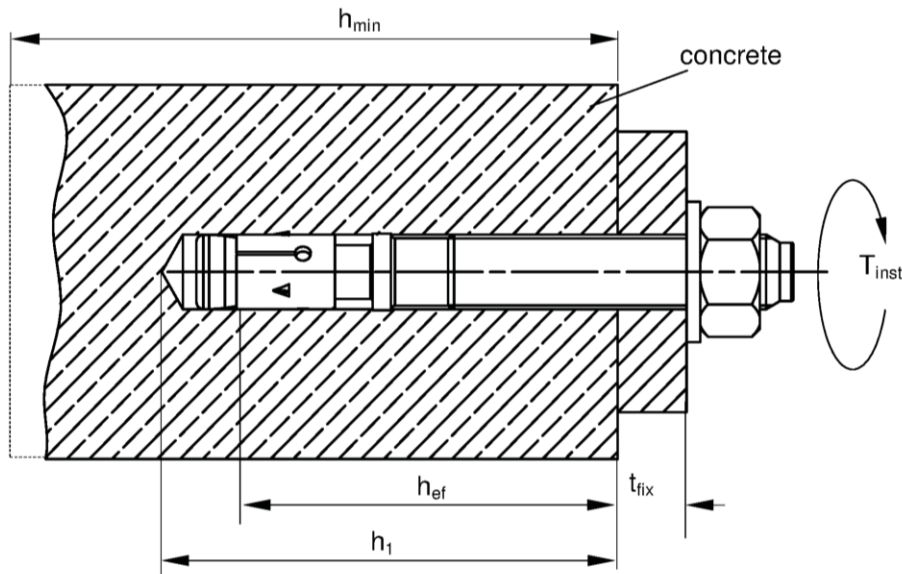
Annex B 1

Table B1: Installation parameters

Type of anchor / size IMC, IMC A4	M6	M8	M10	M12	M16	M20
Nominal drill hole diameter $d_0 =$ [mm]	6	8	10	12	16	20
Cutting diameter of drill bit $d_{cut} \leq$ [mm]	6,45	8,45	10,45	12,5	16,5	20,55
Effective anchorage depth $h_{ef} =$ [mm]	30 ²⁾	40 (30 ¹⁾²⁾	50 (40 ¹⁾)	65 (50 ¹⁾)	80 (65 ¹⁾)	105 (80 ¹⁾)
Depth of drill hole in concrete $h_1 \geq$ [mm]	40	56 (46 ¹⁾²⁾	68 (58 ¹⁾)	85 (70 ¹⁾)	104 (89 ¹⁾)	135 (110 ¹⁾)
Diameter of clearance hole in the fixture $d_f \leq$ [mm]	7	9	12	14	18	22
Required torque moment IMC (zinc plated) $T_{inst} =$ [Nm]	4	15	30	50	100	200
Required torque moment IMC (hot-dip galvanized) $T_{inst} =$ [Nm]	-	15	30	40	70	200
Required torque moment IMC A4 $T_{inst} =$ [Nm]	4	10	20	35	80	150

¹⁾ Only for reduced anchorage depth

²⁾ Use restricted to anchoring of structural components which are statically indeterminate



- h_{ef} = Effective anchorage depth
- t_{fix} = Thickness of fixture
- h_1 = Drill hole depth
- h_{min} = Thickness of concrete member
- T_{inst} = Required torque moment

Upat Anchor Bolt IMC

Intended Use
Installation instructions

Annex B 2

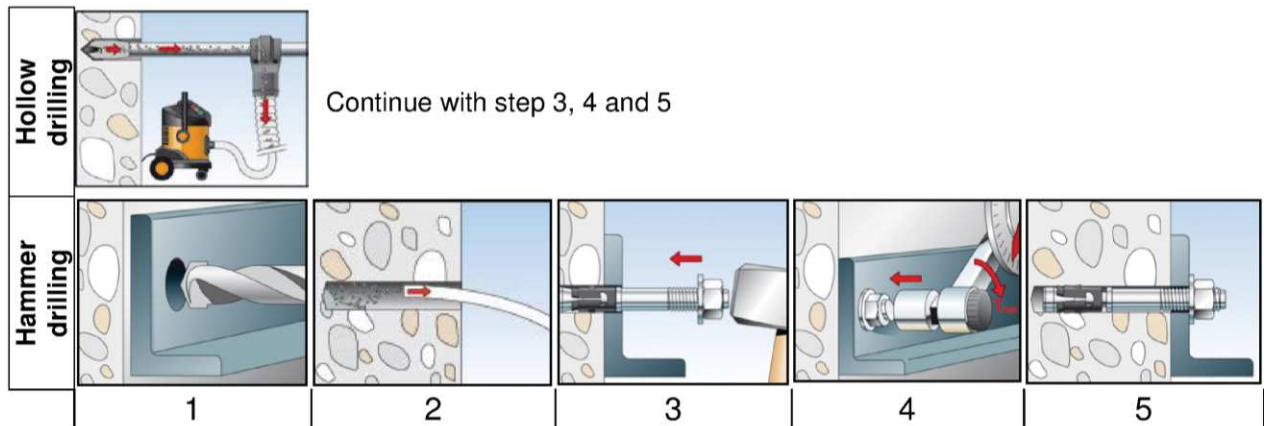
Table B2: Minimum thickness of concrete members, minimum spacing and minimum edge distance

Type of anchor / size IMC, IMC A4		M6	M8	M10	M12	M16	M20
Standard anchorage depth	Effective anchorage depth $h_{ef, sta}$ [mm]	30 ²⁾	40	50	65	80	105
	Minimum thickness of member h_{min} [mm]	100	100	100	120	160	200
	Minimum spacing s_{min} [mm]	40	40	50 (70 ¹⁾)	70	90 (120 ¹⁾)	120
	Minimum edge distance c_{min} [mm]	40	40 (45 ¹⁾)	50 (55 ¹⁾)	70	90 (80 ¹⁾)	120
Reduced anchorage depth	Effective anchorage depth $h_{ef, red}$ [mm]	-	30 ²⁾	40	50	65	80
	Minimum thickness of member h_{min} [mm]	-	100	100	100	120	160
	Minimum spacing s_{min} [mm]	-	40 (50 ¹⁾)	50	70	90	120 (140 ¹⁾)
	Minimum edge distance c_{min} [mm]	-	40 (45 ¹⁾)	80	100	120	120

¹⁾ Only for IMC A4

²⁾ Use restricted to anchoring of structural components which are statically indeterminate

Installation instructions



No.	Description	
1	Create drill hole with hammer drill	Create drill hole with hollow drill and vacuum cleaner
2	Clean bore hole	-
3	Set anchor	
4	Expand anchor with prescribed installation torque T_{inst}	
5	Finished installation	

Types of drills	
Hammer drill	
Hollow drill	

Upat Anchor Bolt IMC

Intended Use
Minimum spacing and edge distance
Installation instructions

Annex B 3

Table C1: Characteristic values of **tension** resistance for **standard and reduced anchorage depth** under static and quasi-static action

Type of anchor / size		M6	M8	M10	M12	M16	M20
Steel failure for standard and reduced anchorage depth IMC							
Characteristic resistance IMC	$N_{Rk,s}$ [kN]	8,3	16,5	27,2	41,6	77,9	107
Partial sensitivity factor	γ_{Ms} [-]	1,5	1,4	1,4	1,4	1,5	1,5
Steel failure for standard and reduced anchorage depth IMC A4							
Characteristic resistance IMC A4	$N_{Rk,s}$ [kN]	10,6	16,5	27,2	41,6	78	111
Partial sensitivity factor	γ_{Ms} [-]	1,5	1,4	1,4	1,4	1,4	1,5
Pullout failure for standard anchorage depth IMC, IMC A4							
Characteristic resistance C20/25	$N_{Rk,p}$ [kN]	6 ²⁾	- ¹⁾				
Pullout failure for reduced anchorage depth IMC, IMC A4							
Characteristic resistance C20/25	$N_{Rk,p}$ [kN]	-	6 ²⁾	- ¹⁾			
Increasing factors for $N_{Rk,p}$	ψ_c	C25/30	1,12				
		C30/37	1,23				
		C35/45	1,32				
		C40/50	1,41				
		C45/55	1,50				
		C50/60	1,58				
Factor for robustness	γ_{inst} [-]	1,0					
Concrete cone and splitting failure for standard anchorage depth IMC, IMC A4							
Effective anchorage depth	$h_{ef, sta}$ [mm]	30 ²⁾	40	50	65	80	105
Factor k_1 for uncracked concrete	$k_{ucr,N}$ [-]	11,0					
Spacing	$s_{cr,N}$ [mm]	$3 h_{ef, sta}$					
Edge distance	$c_{cr,N}$ [mm]	$1,5 h_{ef, sta}$					
Spacing (splitting failure)	$s_{cr,sp}$ [mm]	130 ²⁾	190	200	290	350	370
Edge distance (splitting failure)	$c_{cr,sp}$ [mm]	65 ²⁾	95	100	145	175	185
Concrete cone and splitting failure for reduced anchorage depth IMC, IMC A4							
Effective anchorage depth	$h_{ef, red}$ [mm]	-	30 ²⁾	40	50	65	80
Factor k_1 for uncracked concrete	$k_{ucr,N}$ [-]	11,0					
Spacing	$s_{cr,N}$ [mm]	$3 h_{ef, red}$					
Edge distance	$c_{cr,N}$ [mm]	$1,5 h_{ef, red}$					
Spacing (splitting failure)	$s_{cr,sp}$ [mm]	-	190 ²⁾	200	290	350	370
Edge distance (splitting failure)	$c_{cr,sp}$ [mm]	-	95 ²⁾	100	145	175	185

¹⁾ Pullout failure is not relevant

²⁾ Use restricted to anchoring of structural components which are statically indeterminate

Upat Anchor Bolt IMC

Performances

Characteristic values of tension resistance for standard and reduced anchorage depth

Annex C 1

Table C2: Characteristic values of **shear** resistance for **standard and reduced anchorage depth** under static and quasi-static action

Type of anchor / size		M6	M8	M10	M12	M16	M20
Steel failure without lever arm for standard and reduced anchorage depth							
Charact. resistance IMC	$V_{Rk,s}$ [kN]	6,0	13,3	21,0	31,3	55,1	67
Steel failure without lever arm for standard and reduced anchorage depth							
Charact. resistance IMC A4	$V_{Rk,s}$ [kN]	5,3	12,8	20,3	27,4	51	86
Steel failure with lever arm for standard anchorage depth							
Charact. bending moment IMC	$M^0_{Rk,s}$ [Nm]	9,4 ¹⁾	26,2	52,3	91,6	232,2	422
Steel failure with lever arm for standard anchorage depth							
Charact. bending moment IMC A4	$M^0_{Rk,s}$ [Nm]	8 ¹⁾	26	52	85	216	454
Steel failure with lever arm for reduced anchorage depth							
Charact. bending moment IMC	$M^0_{Rk,s}$ [Nm]	-	19,9 ¹⁾	45,9	90,0	226,9	349
Steel failure with lever arm for reduced anchorage depth							
Charact. bending moment IMC A4	$M^0_{Rk,s}$ [Nm]	-	21 ¹⁾	47	85	216	353
Partial sensitivity factor steel failure	γ_{Ms} [-]	1,25					
Factor for ductility	k_7 [-]	1,0					
Concrete pryout failure for standard anchorage depth IMC, IMC A4							
Factor for pry-out	k_8 [-]	1,4 ¹⁾	1,8	2,1	2,3	2,3	2,3
Factor for robustness	γ_{inst} [-]	1,0					
Concrete pryout failure for reduced anchorage depth IMC, IMC A4							
Factor for pry-out	k_8 [-]	-	1,8 ¹⁾	2,1	2,3	2,3	2,3
Factor for robustness	γ_{inst} [-]	1,0					
Concrete edge failure for standard anchorage depth IMC, IMC A4							
Effective length of anchor	$l_{f,sta}$ [mm]	30 ¹⁾	40	50	65	80	105
Effective diameter of anchor	d_{nom} [mm]	6	8	10	12	16	20
Factor for robustness	γ_{inst} [-]	1,0					
Concrete edge failure for reduced anchorage depth IMC, IMC A4							
Effective length of anchor	$l_{f,red}$ [mm]	-	30 ¹⁾	40	50	65	80
Effective diameter of anchor	d_{nom} [mm]	-	8	10	12	16	20
Factor for robustness	γ_{inst} [-]	1,0					

¹⁾ Use restricted to anchoring of structural components which are statically indeterminate

Upat Anchor Bolt IMC

Performances

Characteristic values of shear resistance for standard and reduced anchorage depth

Annex C 2

Table C3: Displacements due to tension loads

Type of anchor / size IMC, IMC A4			M6	M8	M10	M12	M16	M20
Standard anchorage depth	$h_{ef, sta}$	[mm]	30	40	50	65	80	105
Tension load C20/25	N	[kN]	2,8	6,1	8,5	12,6	17,2	25,8
Displacements	δ_{N0}	[mm]	1,9	0,6	0,9	1,5 (1,9 ¹⁾)	1,8	1,8 (2,0 ¹⁾)
	$\delta_{N\infty}$	[mm]	3,1 (2,7 ¹⁾)					
Reduced anchorage depth	$h_{ef, red}$	[mm]	-	30	40	50	65	80
Tension load C20/25	N	[kN]		2,8	6,1	8,5	12,6	17,2
Displacements	δ_{N0}	[mm]		0,4	0,7	0,7	0,9	1,0
	$\delta_{N\infty}$	[mm]		1,6 (1,7 ¹⁾)				

¹⁾ Only for IMC A4

Table C4: Displacements due to shear loads

Type of anchor / size IMC, IMC A4			M6	M8	M10	M12	M16	M20
Shear load IMC	V	[kN]	3,4	7,6	12,0	17,9	31,5	38,2
Displacements IMC	δ_{V0}	[mm]	0,7	1,5	1,6	2,0	3,0	2,6
	$\delta_{V\infty}$	[mm]	1,1	2,3	2,4	3,0	4,5	3,9
Shear load IMC A4	V	[kN]	3,0	7,3	11,6	15,7	29,1	49,0
Displacements IMC A4	δ_{V0}	[mm]	1,5	1,4	2,1	2,6	2,7	4,6
	$\delta_{V\infty}$	[mm]	2,3	2,2	3,2	3,9	4,1	7,0

Upat Anchor Bolt IMC

Performances
Displacement under tension and shear loads

Annex C 3