

» PERFECT PRO

TEAMBOX » PERFECT PRO

INSTRUCTION MANUAL **GB**
MANUEL DE L'UTILISATEUR **F**
GEBRUIKSAANWIJZING **NL**
BEDIENUNGSANLEITUNG **D**





Brand: Perfectpro

Product name: Teambox

Art.nr.: TBX1

ENG Declaration of Conformity

Prime Europe B.V. hereby declares that this model TBX1 is in compliance with the essential requirements and other relevant provisions of Directive 2014/53/EU and also fulfills all the relevant provisions of EC/EU Directives: 2011/65/EU.

The EU declaration of conformity is available at the following internet address:

<http://www.perfectpro.nl/support/ce-docs/>

F Déclaration de conformité

Prime Europe B.V. déclare que ce modèle TBX1 est conforme aux exigences essentielles et aux autres dispositions pertinentes de la directive 2014/53/EU et remplit toutes les dispositions pertinentes des directives CE/UE: 2011/65/UE.

La déclaration de conformité de l'UE est disponible à l'adresse Internet suivante:

<http://www.perfectpro.fr/supports/ce-docs/>

NL Conformiteitsverklaring

Prime Europe B.V. verklaart hierbij dat dit model TBX1 voldoet aan de essentiële eisen en andere relevante bepalingen van richtlijn 2014/53/EU en ook voldoet aan de relevante bepalingen van de EG/EU-richtlijnen: 2011/65/EU.

De EU-conformiteitsverklaring is beschikbaar op het volgende internetadres:

<http://www.perfectpro.nl/support/ce-docs/>

DE Korformitätserklärung

Prime Europe B.V. erklärt hiermit, dass dieses Modell TBX1 den grundlegenden Anforderungen und anderen einschlägigen Bestimmungen der Richtlinie 2014/53/EU entspricht, und auch alle einschlägigen Bestimmungen der EG/EU-Richtlinien erfüllt: 2011/65/EU.

Die EU-Korformitätserklärung steht unter folgender Internetadresse zur Verfügung:

<http://www.perfectpro.de/support/ce-docs/>

Prime Europe B.V.

Everdenberg 9a, 4902 TT, Oosterhout, The Netherlands

CONTENTS

Important safety instructions	3	Information function.....	19
Power supply	4	Aux-in Mode.....	19
AC mains operation.....	4	Setting the clock	19
Lithium battery operation and charging	4	Auto update	20
User safety precautions.....	5	Equaliser	21
Using the device for the first time	6	Language	21
Controls.....	7	Software update	21
DAB Mode.....	9	Software version	22
Operating the radio.....	9	Factory reset	22
Selecting a station.....	9	Backlight	23
Secondary services.....	9	Additional metal telescopic antenna	24
Display modes.....	10	Warranty	24
Finding new stations.....	10	Specifications	25
Manual tuning.....	10	Power requirements	25
Dynamic Range Control (DRC) settings	11	Frequency coverage	25
Prune stations.....	11	Circuit features	25
FM Mode.....	12	Bluetooth	25
Operating the radio.....	12	Environmental note	26
Manual tuning.....	12		
RDS station service.....	12		
Display modes.....	13		
Scan sensitivity setting.....	13		
Preset stations.....	13		
Storing preset stations.....	13		
Recalling preset stations	14		
Bluetooth	14		
Pairing Bluetooth with your mobile phone	15		
Playing music from your mobile phone	15		
Display modes.....	16		
Device List – Connect to the paired device	16		
Restart Bluetooth pairing	16		
USB Mode	17		
Insert and remove an USB stick	17		
Playing music files	17		
Play mode	18		

GB



WARNING ! WARRANTY BECOMES VOID ONCE THE DEVICE CABINET HAS BEEN OPENED OR ANY MODIFICATIONS TO THE ORIGINAL DEVICE HAVE BEEN MADE. NEVER OPEN THE DEVICE CASING. THE MANUFACTURER WILL NOT ACCEPT ANY LIABILITY FOR DAMAGE RESULTING FROM IMPROPER HANDLING. THE TYPE PLATE IS LOCATED ON THE BOTTOM OF THE DEVICE.



The Bluetooth® word mark and logos are registered trademarks owned by Bluetooth SIG, Inc. and any use of such marks is under license.

IMPORTANT SAFETY INSTRUCTIONS

1. Read these instructions.
2. Keep these instructions.
3. Heed all warnings.
4. Follow all instructions.
5. Clean only with dry cloth.
6. Do not block any ventilation openings. Install in accordance with the instructions.
7. Do not install near any heat sources such as radiators, heat registers, stoves or other apparatus (including amplifiers) that produce heat.
8. Do not defect the safety purpose of the polarized or grounding – type plug. A polarized plug has two blades with one wider than the other. A grounding type plug has two blades and a third grounding prong. The wide blade or the third prong is provided for your safety. If the provided plug does not fit into your outlet, consult an electrician for replacement of the obsolete outlet.
9. Protect the power cord from being walked on or pinched particularly at plug, convenience receptacles, and the point where they exit from the apparatus.
10. Only use attachments/accessories specified by the manufacturer.
11. Use only with the cart, stand, tripod, bracket, or table specified by the manufacturer, or sold with the apparatus. When a cart is used, use caution when moving the cart/apparatus combination to avoid injury from tip-over.
12. Unplug this apparatus during lightning storms or when unused for long periods of time.
13. Refer all servicing to qualified service personnel. Servicing is required if the apparatus has been damaged in any, such as power-supply cord or plug is damaged, liquid has been spilled or objects have fallen into the apparatus, the apparatus has been exposed to rain or moisture, does not operate normally, or has been dropped.
14. To reduce the risk of fire or electric shock, do not expose this appliance to rain or moisture.
15. Do not remove the cover; there are no user-serviceable parts inside.
16. No naked flame sources shall be placed on the apparatus.
17. For outdoors use, to avoid electric shock, use battery only during a raining day or the weather is wet. To prevent electric shock, if the radio has been exposed to rain or water, the power supply cord and plug must be completely dried before plugging into the mains socket outlet.
18. The power plug should be close to the apparatus, and easy to be approached that during emergency, to disconnect the power from the apparatus, just unplug the power plug from the AC power slot.
19. The marking information is located at the bottom of the apparatus.
20. This apparatus is provided with protection against splashing water (IP65).
21. In case of malfunction due to electrostatic discharge or fast transient (burst), remove and reconnect the power supply.
22. The apparatus must be used in a moderate climate.
23. To prevent possible hearing damage, do not listen at high volume levels or long periods.
24. Under the environment with Conducted Immunity disturbance / Radiated Immunity, the radio may malfunction. It will automatically recover to normal when the Conducted Immunity disturbance / Radiated Immunity stopped.



POWER SUPPLY

AC Mains Operation

1. Before plugging the AC power plug into the AC mains power socket, be sure the voltage is correct.
2. AC power cord storage and power plug storage is designed to store the cord and the plug when the Teambox is not in use.

NOTE:

In order to disconnect the Teambox from the AC mains power completely, the AC power plug should be removed from the AC mains power socket completely and it shall remain readily operable and should not be obstructed during intended use.

In case of malfunction due to electrostatic discharge or fast transient (burst), remove the AC power plug from AC mains power socket and reconnect the AC power plug after approximately one minute.

LITHIUM BATTERY OPERATION AND CHARGING

NOTE ON FIRST USE: BEFORE OPERATING THE TEAMBOX FOR THE FIRST TIME ALWAYS FIRST FULLY CHARGE THE BATTERY.

The **Teambox** can be operated by the built-in Lithium battery. During operation on battery power the approximate power level of the battery is displayed in the LCD display of the radio.

When the battery power level is very low, the battery symbol flashes on the display.

Under this condition, the battery should be recharged as soon as possible to continue normal operation of the **Teambox**.

Charging time from empty to full battery is approximately 5-6 hours (at room temperature with radio in Standby mode). The **Teambox** can be charged in Standby mode as well as in On mode while playing music. While playing music the charging time will be longer than in Standby mode.

The Teambox, for additional safety, will not start charging when the battery is already full or nearly full.

NOTE ON PLAYING TIME ON BATTERY POWER: The achieved playing time on battery power depends on many factors such as: selected volume level, music type (bass heavy music consumes more energy), selected music source (DAB, FM, Bluetooth or AUX-IN), selected EQ setting, ambient temperature and age of the battery. Depending on these variables a playing time of approximately 20 to 26 hours on a medium set volume level can be achieved.

NOTE ON LITHIUM BATTERY LIFE: If the Teambox is not used for any extended period of time, always first charge the built-in battery until it is full. The optimum working life from the built-in battery will be obtained if it is kept topped up by recharging after each use of the Teambox, even if it is only partially discharged. The battery's working life will be reduced if the product is left in a discharged condition for a long period of time.

WARNING:

Do not attempt to replace or repair the built-in lithium battery. If you have any doubts about the built-in lithium battery, please contact the service department of Perfectpro for further assistance.

WARNING:

Danger of explosion if the battery is incorrectly replaced.
Do not expose the battery to excessive heat such as sunshine, fire or the like.
Batteries should not be disposed of by incineration and with household waste.
Disposable batteries should be taken to a suitable recycling centre if possible.



Safety information for internal rechargeable Lithium battery

The internal rechargeable lithium-polymer battery used in this device is able to supply power for a long period of time. However, even lithium-polymer batteries reach a point where they cannot be recharged. If the battery does not recharge after several attempts, it may be drained (have a too low charge), please contact service@perfectpro.eu for repair information.

However, if you do not want us to replace the battery, you will need to dispose of used batteries/ device in accordance to the laws and regulations in your area. In addition, you can contact your local electronics retailers or recycling centre for disposal.

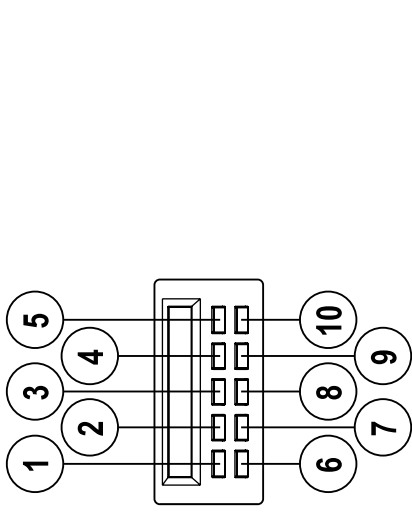
User Safety Precautions

- Check the room temperature range is 0°C – 35° C (32° - 95° Fahrenheit) before charging the battery.
- Do not attempt to disassemble the plastic covering or any parts of the device, as the materials inside may be toxic and may damage skin and clothes.
- Do not puncture, crush, modify, throw or cause any unnecessary shock to your battery, as **the battery used in this device may present a risk of fire, explosion, or chemical burn if mistreated.**
- Do not leave, charge or use the battery in a car under direct sunlight, near fire or a heated source.
- Do not immerse, throw, wet the battery in water/ seawater.
- Do not use or charge the battery if it appears to be abnormally hot, discoloration, deformation or abnormal conditions is detected during use, charge or storage.
- Do not leave a charging battery unattended. Keep the battery away from babies and children.

USING THE DEVICE FOR THE FIRST TIME

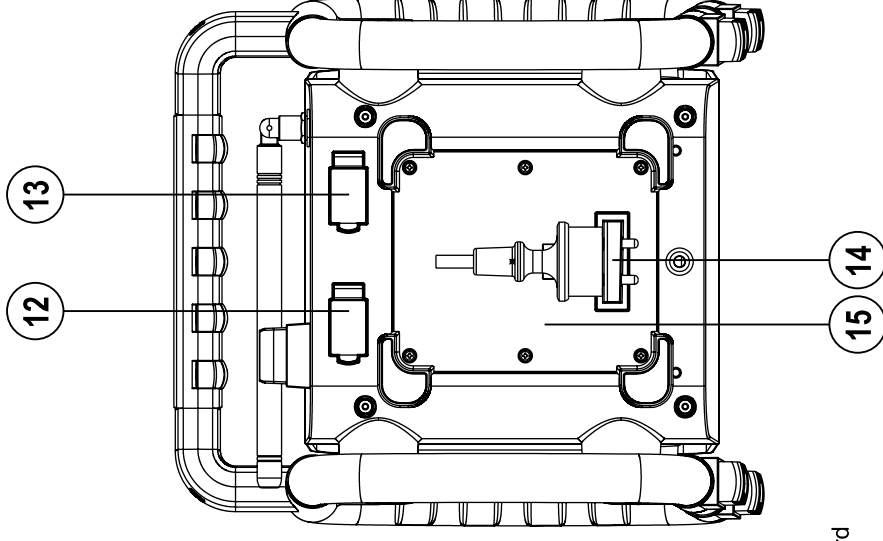
1. Place the radio on a flat surface.
2. Carefully extend the antenna located on the top of the radio. Adjust the antenna so it is vertically extending above the radio.
3. Plug the AC power cord into the AC socket. The radio will start and will automatically perform an auto scan of the Band III DAB channels and the FM band in the back ground.
4. When the scan is completed, the 10 strongest FM stations will be stored as presets. The radio will switch to standby with the updated clock and date showing on the display.
5. If no signals are found, the clock will not be updated. It may be necessary to relocate the radio to a position giving better reception.

CONTROLS



1. Power button
2. Source button
3. Select / Info button
4. Tuning << button
5. Tuning >> button
6. Menu / Folder button
7. Preset / Play/Pause button
8. EQ button
9. Volume - button
10. Volume + button
11. Antenna

CONTROLS



12. USB socket
13. Aux-in socket
14. AC power cord
15. Battery door

DAB MODE

Operating the radio

1. Carefully extend the antenna. Press the **Power button** to switch on the radio.
2. If this is the first time to switch on, the radio will be in DAB mode.
3. The first station (in numeric-alpha order 0...9...A...Z) in the list of stations found will be played. The display will show the station name.
If the radio has been used before, the last used station will be selected.
4. If no signals are detected, "Service not available" will be displayed. It may be necessary to relocate the radio to a position giving better reception.
You should then carry out an auto scan to find stations, please refer to the section "Find new stations".

Selecting a station

1. Press the **Power button** to switch on the radio.
2. The display shows the name of the radio station currently selected.
3. Press the **Tuning << or Tuning >> button** to scroll through the list of available stations.
4. When the desired station name appears on the display, press the **Select / Info button** to select the station. The display will show the station name while playing.

Note: If after selecting a station the display shows "Service not available", it may be necessary to relocate the radio to a position giving better reception.

Secondary services

1. Certain radio stations have one or more secondary services associated with them. If a station has a secondary service associated with it, then the secondary service will appear immediately after the primary service as you turn the **Select / Info button**.
2. Press the **Select / Info button** to select the secondary service.
Most of secondary services do not broadcast continually and if the selected service is not available, the radio will re-tune to the associated primary service.

Display modes

In DAB mode, the radio can display a range of information on the display.

1. Press the **Select / Info button** to cycle through the various modes.
 - a. Scrolling text
Displays scrolling text message such as artist/ track name, phone in number, etc.
 - b. Program type
Displays type of station being listened to e.g. Pop, classic, News, etc.
 - c. Signal strength
Displays the signal strength of radio reception. The clear unfilled rectangle indicates minimum signal level required for satisfactory reception.
 - d. Multiplex name & frequency
Displays name of multiplex to which the current station belongs. And to displays channel number and frequency for the currently tuned DAB station.
 - e. Bit rate & audio type
Displays the digital audio bit rate.
 - f. Date
Displays the date of today.

Finding new stations

From time to time, new stations may become available. You may proceed to find new stations as follows:

1. Press the **Source button** to enter DAB mode.
2. Press the **Menu button**, the display will show "Full scan".
3. Press the **Select / Info button**, the radio will perform a scan of the Band III DAB channels.

As new stations are found, the station counter on the right-hand side of the display will increase and stations will be added to the list.

Manual tuning

Manual tuning allows you to tune the radio directly to various DAB Band III channels.

1. Press the **Menu button**, the display shows "Full scan",
2. Press the **Tuning >> button** to select "Manual tune", then press the **Select / Info button** to enter.
3. Press the **Tuning << or Tuning >> button** to select the desired DAB channel.
Press the **Select / Info button** to tune the chosen frequency.
4. The signal strength display with an open bar shows the minimum signal strength needed for good DAB reception. The signal strength bars will go up or down showing the changing signal strength as you adjust the antenna or the radio position.

- When a DAB signal is found, the display will show its signal strength. Any new radio stations found will be added to the list stored in the radio.
- Press the **Select / Info button** to return to normal DAB service.

Dynamic Range Control (DRC) settings

DRC can make quieter sounds easier to hear when the radio is used in a noisy environment.

- In DAB mode, press the **Menu button**, the display shows "Full scan".
- Press the **Tuning << or Tuning >> button** until the display shows "DRC". Press the **Select / Info button**.
- Press the **Tuning << or Tuning >> button** to select required DRC setting (default is Off).
 DRC off DRC is switched off. Broadcast DRC will be ignored.
 DRC high DRC is set to high as sent by broadcaster.
 DRC low DRC level is set to low that sent by broadcaster.

- Press the **Select / Info button** to confirm the setting. The display will return to normal radio display.

Note: Not all DAB broadcasts use the DRC function. If the broadcast does not provide DRC information, the DRC setting in the radio will have no effect.

Prune stations

If you move to a different part of the country, some of the stations which were listed may no longer be available. Also, from time to time, some DAB services may stop broadcasting, or may change location or frequency. The Prune stations function will delete the unavailable DAB stations from your station list.

- In DAB mode, press the **Menu button**, the display shows "Full scan".
- Press the **Tuning << or Tuning >> button** until the display shows "Prune".
- Press the **Select / Info button** to enter the setting.
- Press the **Tuning << or Tuning >> button** to select between "Yes" or "No" (default is No).
 Select "Yes" to enable this function if required, otherwise, select "No".
- Press the **Select / Info button** to confirm your setting. The display will return to normal radio display.

Note: If you have moved the radio to a different part of the country, you should also carry out a search for new stations (please see the section "Finding new stations").

FM MODE

Operating the radio

- Press the **Power button** to turn on the radio.
- Select the FM waveband by pressing the **Source button**.
- If this is the first time to switch to FM mode, the station in preset 1 will be played. If the radio has been used before, the last listened station will be played.
- To seek station, press and hold the **Tuning << or Tuning >> button**. The scan stops automatically when it finds a station of sufficient strength.
- After a few seconds, the display will update and show station name if RDS information is being received.
- To find other stations, press the **Tuning << or Tuning >> button** again.
- When the waveband end is reached, the radio will recommence tuning from the opposite waveband end.

Manual tuning

- Press the **Power button** to turn on the radio.
- Select the FM band by pressing the **Source button**.
- Press the **Tuning << or Tuning >> button** to reach the required FM station. The radio will change the frequency in steps of 50 kHz.
- Rotate the rubber antenna to get the best reception. If the radio is tuned to a station of sufficient signal strength with RDS information present, the display may change to show the station name.
- When the waveband end is reached, the radio will recommence tuning from the opposite waveband end.

RDS station service

RDS (Radio Data System) is an information system which inaudible digital information is transmitted in addition to the normal FM radio program. When the radio is receiving a RDS station and the reception strength is sufficient, the station name will appear in the display. It may take some time before the RDS information is available.

Display modes

When you are listening to a FM station with RDS system, repeatedly press the **Select / Info button** to cycle through the information. This will only function if the reception level is sufficient and clear.

- Radio text
Displays the message about the station being listened to as ticker text.
- Program type
Displays the type of station being listened to, e.g. Pop, Classic, News, etc.
- Signal strength
Displays signal strength for the station being listened to.
- Frequency
Displays the frequency of the station being listened to.
- Date
Displays the date of today.

Scan sensitivity setting

The radio will normally scan all stations from FM broadcasts including the weaker signals. However, you may wish the Auto-scan to find only those stations with strong enough signals to give good reception.

- Press the **Power button** to turn on the radio.
- Select the FM band by pressing the **Source button**.
- Press the **Menu button**, the display shows "Scan setting"; Then press the **Select / Info button** to enter.
- Press the **Tuning << or Tuning >> button** to select between "All stations" or "Strong stations only" (default is "Strong stations only").
The "Strong station" option will allow the radio to find strong signals only when scanning.
- Press the **Select / Info button** to confirm your setting. The display will return to normal radio display.

PRESET STATIONS

Storing preset stations

There are 20 memory presets in the radio, 10 for DAB and 10 for FM. Presets are remembered by the radio in the event of a power failure.

- Press the **Power button** to turn on the radio.
- Press the **Source button** to select the desired waveband.
- Tune to the required station.
- Press and hold the **Preset button** until the display shows for example "Preset 01: Empty".
- Press the **Tuning << or Tuning >> button** to select the desired preset number, then press the **Select / Info button** to confirm saving preset. The display will show, for example, "Preset 01 Stored".

- Repeat step 3 to 5 for the remaining presets.
- Stations stored in the preset memories can be over-written by following the above procedure.

Recalling preset stations

- Press the **Power button** to turn on the radio.
- Press the **Source button** to select the desired waveband.
- Press the **Preset button** until shows for example "Preset 01: 88.10MHz".
- Press the **Tuning << or Tuning >> button** to select the desired preset number, then press the **Select / Info button** to recall the preset.
- The display will show, e.g. "P01", at the end of first line.

BLUETOOTH

The Bluetooth mode on your **Teambox** allows you to play audio, play sound from video files and stream music from Bluetooth capable devices such as your mobile phone, computer, tablet etc. through your **Teambox** loudspeaker.

- When a Bluetooth enabled device such as your **Teambox** is in a 'discoverable' state other Bluetooth devices can detect, pair with or connect to it.
- 'Bluetooth pairing' occurs when two Bluetooth enabled devices agree to establish a connection and communicate with each other.

Bluetooth connectivity performance may vary depending on the connected Bluetooth devices. Please refer to the Bluetooth capabilities of your device before connecting to your **Teambox**. All features may not be supported on some paired Bluetooth devices.

A Bluetooth connection can provide a link for audio up to a distance of approximately ten metres. When pairing two Bluetooth enabled devices, for convenience, we recommend they should be no more than 2 to 3 metres apart. The presence of other functioning Bluetooth devices during connection may lead to operational difficulties.

Bluetooth is a short-range radio communication system and generally Bluetooth devices can communicate with each other clearly within a regular sized room or office. The reliability of a Bluetooth connection between different rooms will greatly depend upon the construction of the building.

Bluetooth communication range may be substantially reduced if the signal passes through a solid object. Human bodies, brick and concrete walls, heavy furniture or bookcases will all reduce the operational range of your Bluetooth devices to a greater or lesser extent. Glass, dry-wall or wood panelled walls and office partitions may have a less severe but noticeable effect. Metal pipes, foil-lined plasterboard, metal window frames and domestic wiring can also have an effect. You should position your Bluetooth devices closer to each other if you observe communication difficulties.

WiFi networks and cordless phones generally use similar radio frequencies to Bluetooth and may interfere with one another. If any interference is noticed, then try relocating the **Teambox** or one of the other devices.

The Bluetooth capabilities of your **Teambox** enable it to receive audio from many Bluetooth capable devices including mobile phones, personal computers and tablets. Only one Bluetooth device can be connected to your **Teambox** at a time. It supports the following Bluetooth profiles and functionality.

- Your **Teambox** supports A2DP (Advanced Audio Distribution Profile) which is a audio connection that streams music from PCs, mobile phones etc. SBC and AAC audio codecs are supported.
- Your **Teambox** supports AVRCP (Audio Video Remote Control Profile) that allows your radio to control music playback from the connected device.

• **Note:** Some mobile phones may temporarily disconnect from your **Teambox** when you make or receive calls. Some devices may temporarily mute their Bluetooth audio streaming when they receive text messages, emails or for other reasons unrelated to audio streaming. Such behaviour is a function of the connected device and does not indicate a fault with your **Teambox**.

Pairing Bluetooth with your mobile phone

1. Press the **Power button** to turn on the radio.
2. Select Bluetooth mode by pressing the **Source button**.
3. The LCD display will show "Connecting" when radio is not yet paired with your mobile phone. At the same time, the Bluetooth icon will be blinking as the Bluetooth is in searching mode.
4. In your mobile phone open the Setting menu and select Bluetooth, then select "**Teambox**" in the Bluetooth devices list (Bluetooth pairing instructions may vary per type of mobile phone, please check your mobile phone manual).
5. When Bluetooth pairing is successful, the LCD display will show the name of the mobile device. At the same time, the Bluetooth icon will be lightened.
6. After that, the LCD display will show the connected mobile phone's name to indicate the connected device to the radio.

Playing music from your mobile phone

1. Press the **Power button** to turn on the radio.
2. Select Bluetooth mode by pressing the **Source button**.
3. Start playing music by using the media players in the paired mobile phone.
4. Playback can be controlled from the mobile phone or by pressing the **Preset / ►||**, **Tuning <<**, and **Tuning >>** buttons on the radio.
5. After music playback started, the name of the song will be displayed in the LCD.

Display modes

In Bluetooth mode, the radio can display a range of information of the current playing music on the display. Press the **Select / Info button** to cycle through the various types.

- a. Title
 - b. Artist
 - c. Album
 - d. Time and date
- Displays scrolling song's name of the current playback music.
Displays the artist's name of the current playback music.
Displays the album name of current playback music.
Display the current time and date.

Device List – Connect to the paired device

In the radio, you can select the Bluetooth device from the device list to connect again. The device names would be shown if the name of the Bluetooth devices were configured in the mobile devices. Please refer to the user manual of your mobile device for the configurations.

The device lists can be checked as below:

1. In Bluetooth mode, press the **Menu button** to enter the system setting. The display will show "Discoverable".
2. Press the **Tuning <<** or **Tuning >>** button until "Device list" is displayed; press the **Select / Info button** to select the setting.
3. Press the **Tuning <<** or **Tuning >>** button to view the name of the devices.
4. Press the **Select / Info button** to start Bluetooth reconnection. The radio will automatically connect to this mobile device.

Note: There can be up to 8 device names to be stored in the speaker. If there are more than 8 mobile devices have been connected and stored into the speakers, the earliest paired device name will be erased.

Note: If you have ever deleted the "**Teambox**" from your connected mobile device, the auto reconnection will be unsuccessful.

Restart Bluetooth pairing

The Bluetooth function can be set to operate in different ways as below:

1. In Bluetooth mode, press the **Menu button** to enter the system setting. The display will show "Discoverable", press the **Select / Info button** to activate Bluetooth discovery function.
2. The LCD display will show "Connecting", and the Bluetooth icon will be flashing at the same time. Now, the radio's Bluetooth is free for any mobile phone connection as it is in discoverable mode now.

Note: "Discoverable" is the option that forces the Bluetooth of this radio to disconnect from your mobile phone and enter the "discoverable mode". This is the way to allow the Bluetooth pairing to another device. If no new device is paired, the Bluetooth will automatically try to connect to the last device when it is switched off and on again.

The Auto-Power management function will be activated in Bluetooth mode. If there is no signal from Bluetooth for a period of over 15 minutes, the radio will automatically switch to standby mode. Pressing the **Power button** will wake up the unit.

USB MODE

CONDITIONS TO PREVENT MOIST FROM ENTERING THE RADIO!! KEEP THE RUBBER COVER CLOSED UNDER THESE CONDITIONS.

USB sticks can be used with the radio for playback of MP3, AAC, FLAC and WAV files.

The radio has been tested with a range of USB sticks up to 32GB. However, there are many different USB stick variants available and not all of them can be guaranteed to work in this radio. Memory must use the FAT or FAT32 filing system in order to operate in this radio.

Audio formats supported for playback are MP3, AAC, FLAC and WAV. Playback does not support files encoded using WMA lossless, WMA voice, WMA 10 professional, or files of any format that have DRM protection.

The USB socket are located on the back behind the rubber cover. Make sure the rubber cover is closed well after use to prevent moist and dirt from entering the radio. The USB stick should not be removed during playback as damage or corruption of files may occur.

USB sticks are not included with this radio.

Note: When the radio is playing an USB stick, the batteries will be charged in low current mode. Once the USB stick is removed normal charging will continue.

Insert and remove an USB stick

Carefully insert an USB stick into the USB socket.
To remove the USB stick, simply pull the device out.

Playing music files

1. Press the **Power button** to turn on the radio.
2. Press the **Source button** to select the USB. The display shows "Reading". It may take some time before the radio has read in the folders and files data on the memory device.
3. After reading the USB stick, the radio will start to play the first file (song) in the first folder. If no USB stick is inserted, the display will show "No USB stick" respectively.
4. To pause the playback, press the **Preset / ► || button**. Press the **Preset / ► || button** again to resume the playback from pause position.

5. To skip to the next file, press the **Tuning >> button**.
6. To skip to the previous file, press the **Tuning << button**.
7. While the file is playing, press and hold down either the **Tuning >> button** or **Tuning << button**. Release the button when the desired part of the file is reached.
8. To skip to the next folder, press and hold the **Menu button** for 2 seconds, then press **Tuning <<** or **Tuning >> buttons** to navigate.
9. Press the **Select / Info button** to confirm.

The radio supports a limited number of folders and files in the searching:

Mode	Max. no. of folders supported	Max. no. of files supported
Stop	999 (with folder name)	9999 (with file name)
Play	999 (1-99 with folder name) (100-999 without folder name)	9999 (1-999 with file name) (1000-9999 without file name)

Play mode

During USB stick is playing,

1. Press the **Menu button**,
2. Press the **Tuning <<** or **Tuning >> button** until the display shows "USB setting". Press the **Select / Info button**.
3. Press the **Tuning <<** or **Tuning >> button** to the desire play mode and press the **Select / Info button** to confirm.

The radio will step through the following options:

Normal play → Repeat track → Repeat folder → Repeat all → Shuffle

Normal play	Playback in sequential order one to another.
Repeat track	Repeatedly play the file you are listening to.
Repeat folder	Repeatedly play the files within the folder you are listening to.
Repeat all	Repeatedly play all files in the USB stick.
Shuffle	Play all files in the USB once in random order.

The selected mode is indicated on the right of the top line of the display by an icon. No icon is shown when in Normal play mode.

Information function

During USB stick playback, the title and the current playing time of the current playing music will be shown. Press the **Select / Info button** to cycle through the following information (only if this information is present with the file on the memory device):

Play time → Title → Folder name → Artist name → Album name → Total no. of files → Bitrate of the music → Time and date → Play time again.

AUX-IN MODE

A 3.5mm stereo **Aux-in socket** is provided on the side behind the rubber cover, for connecting an external audio device such as MP3 player or CD player (not included with this radio).

1. Connect an audio source to the **Aux-in socket**.
2. Press the **Source button** to select Aux-in. Display will show "Aux-in".
3. Play the external player.
4. Adjust the volume of both the radio and the player for comfortable listening.
5. After use, close the rubber cover to prevent moist or dust from entering into the sockets and radio.

Notes: Never use the **Aux-in socket** in rainy or moist conditions to prevent moist from entering the radio. Keep the rubber cover closed under these conditions.

The Auto-Power management function will be activated in Aux-in mode. If there is no signal from the Aux-in jack for a period over 15 minutes, the unit will automatically switch to standby mode. The operation indicator and the LCD will go off in such case. Pressing the **Power button** will wake up the unit.

SETTING THE CLOCK

The clock can be set in system menu. If no buttons are pressed for 30 seconds, the radio will exit the clock setup and the setting is cancelled.

1. Press the **Power button** to switch on the radio.
2. Press the **Menu button** to display current menu.
3. Press the **Tuning << or Tuning >> button** to select "System settings" and press the **Select / Info button**.
4. Then press the **Tuning << or Tuning >> button** to select "Time/Date" and press the **Select / Info button** to confirm.
5. Then press the **Tuning << or Tuning >> button** to select "Set Time/Date" and press the **Select / Info button** to confirm.
6. Press the **Tuning << or Tuning >> button** to set the hour.
7. Press the **Select / Info button** to confirm, the minute digits flashes on the display.

8. Press the **Tuning << or Tuning >> button** to set the minute.
9. Press the **Select / Info button** to confirm, the day flashes on the display.
10. Press the **Tuning << or Tuning >> button** to set the current day.
11. Press the **Select / Info button** to confirm, the month flashes on the display.
12. Press the **Tuning << or Tuning >> button** to set the current month.
13. Press the **Select / Info button** to confirm, the year will then flash on the display.
14. Press the **Tuning << or Tuning >> button** to set the current year.
15. Press the **Select / Info button** to confirm and finish the settings.

Auto update

The radio can receive the latest time information from either DAB or FM signal, then synchronizes the current date/time of the radio.

1. Press the **Power button** to switch on the radio.
2. Press the **Menu button** to display current menu.
3. Press the **Tuning << or Tuning >> button** to select "System settings" and press the **Select / Info button**.
4. Then press the **Tuning << or Tuning >> button** to select "Time/Date" and press the **Select / Info button** to confirm.
5. Press the **Tuning << or Tuning >> button** to select "Time auto update" and press the **Select / Info button**.
6. Press the **Tuning << or Tuning >> button** to select

"Any"

Radio will be automatically synchronizes the date/time from DAB or FM signal.

"DAB"

Radio will automatically synchronizes the date/time from current DAB station.

"FM"

Radio will automatically synchronizes the date/time from current FM station.

"No update"

Radio will stop updating date/time from any of the radio stations.

7. Press the **Select / Info button** again to confirm and finish setting.

Note: If reception is good and you have selected the "DAB" or "FM" option from Auto Update option, the time will be automatically updated. Time synchronization can take several minutes. The automatic time setting is always activated when the radio is switched from standby to last played radio mode.

EQUALISER

The sound on Teambox can be adjusted to suit your personal taste for the material that you are listening to.

1. Press the **Power button** to switch on the radio.
2. Press the **EQ button** to display current menu.
3. Press the **Tuning << or Tuning >> button** to select Neutral → Rock → Indoor → Jazz → Outdoor
4. Press the **Select / Info button** to confirm.

LANGUAGE

The radio can be configured to a different language.

1. Press the **Power button** to turn on the radio.
2. Press the **Menu button**, and then Press the **Tuning << or Tuning >> button** until the display shows "System settings".
3. Press the **Select / Info button**; Press the **Tuning << or Tuning >> button** until the display shows "Language".
4. Press the **Select / Info button** to enter the language adjustment menu.
5. Press the **Tuning << or Tuning >> button** until the desired language appears on the display (default is English).
6. Press the **Select / Info button** to confirm your choice. The display will change to the chosen language.

SOFTWARE UPDATE

From time to time, new software features for your radio may be developed. **Teambox** has therefore been designed to allow its internal software to be updated using USB connection.

You should not attempt to update your radio unless it is recommended to you by Customer Services. Updating the software may remove all radio station presets from **Teambox**.

SOFTWARE VERSION

The software display cannot be altered and is just for your reference.

1. Press the **Power button** to turn on the radio.
2. Press the **Menu button**, and then Press the **Tuning << or Tuning >> button** until the display shows "System settings".
3. Press the **Select / Info button**; Press the **Tuning << or Tuning >> button** until the display shows "SW version".
4. Press the **Select / Info button** to view the software version.

FACTORY RESET

If the radio fails to operate correctly, or some digits on the display are missing or incomplete, carry out the following procedure.

1. Press the **Power button** to switch on the radio.
2. Press the **Menu button**.
3. Press the **Tuning << or Tuning >> button** until the display shows "System settings" and press the **Select / Info button**.
4. Press the **Tuning << or Tuning >> button** until the display shows "Factory reset" and press the **Select / Info button**.
5. Press the **Tuning << or Tuning >> button** to select between "Yes" or "No". Select "Yes" if you wish to reset the radio, otherwise, select "No".
6. Press the **Select / Info button** to cause the factory reset.
7. A full reset will be performed. All presets and the station list will be erased. All settings will be set to the default values.

After a brief stop, the radio will complete reset and automatically perform an auto scan of the Band III DAB channels and the FM band.

In case of malfunction due to electrostatic discharge; reset the product as above to resume normal operation. If you are not able to perform the reset operation as above, remove and reconnect the power supply.

BACKLIGHT

The backlight of **Teambox** can be adjusted the brightness level of both radio on mode and radio standby mode.

Radio on

You can set the brightness level of radio on mode.

1. Press the **Power button** to switch on the radio.
2. Press the **Tuning << or Tuning >> button** to select "System settings" and press the **Select / Info button** to enter system menu.
3. Then press the **Tuning << or Tuning >> button** to select "Backlight" and press the **Select / Info button** to confirm.
4. Press the **Tuning << or Tuning >> button** to select "Radio on" and press the **Select / Info button**.
5. Press the **Tuning << or Tuning >> button** to select from High / Medium / Low / Off, then press the **Select / Info button** to confirm.

Standby

You can set the brightness level of radio on mode.

1. Press the **Power button** to switch on the radio.
2. Press the **Tuning << or Tuning >> button** to select "System settings" and press the **Select / Info button**.
3. Then press the **Tuning << or Tuning >> button** to select "Backlight" and press the **Select / Info button** to confirm.
4. Press the **Tuning << or Tuning >> button** to select "Radio standby" and press the **Select / Info button** to confirm.
5. Press the **Tuning << or Tuning >> button** to select from High / Medium / Low / Off, then press the **Select / Info button** to confirm.

ADDITIONAL METAL TELESCOPIC ANTENNA

You can use this as an alternative antenna for your radio in areas or locations where the radio-signal (FM/DAB/DAB+) is weak to very weak.

ATTENTION: the standard antenna on the radio is flexible, this antenna is not flexible.

Installing: Carefully screw off the standard flexible antenna. First carefully loosen the antenna screw by a screwdriver – turn counter clockwise.
Carefully screw on the metal telescopic antenna and tighten it by a screwdriver – turn clockwise.

ATTENTION: do not use too much force when fixing the antennas as this can damage the screw thread of the antennas or make it break off.

WARRANTY

This radio has a 2 year limited warranty.

WARNING ! Warranty becomes void once the radio cabinet has been opened or any modifications or alterations to the radio have been made !

The terms of the warranty of this radio do not cover the following:

- Damage caused by misuse, abuse, neglect, alterations, accidents or unauthorized repair.
- Normal wear and tear.
- Breaking or bending of the metal telescopic antenna

Never open the device casing. The manufacturer will not accept any liability for damage resulting from improper handling. The type plate is located on the bottom of the device.

SPECIFICATIONS

Power requirements

Mains 230 volts AC, 50/60Hz
Built-in Lithium Polymer Battery: 11.1V, 4000mAh

Frequency coverage

DAB 174,928 – 239,200 MHz
FM 87.5 – 108 MHz

Circuit features

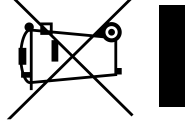
USB socket 5V 1A for charging mobile phones via authorised USB cable
Loudspeaker ø5 inch + ø1 inch
Output power 25 Watts
Aux-in socket 3.5 mm, stereo
Aerial System DAB Telescopic aerial
FM Telescopic aerial

Bluetooth

Version 4.1 Supports Bluetooth profiles A2DP and AVRCP.

The company reserves the right to amend the specifications without notice.

Environmental note



This product has been manufactured with high quality parts and materials which can be reused and recycled.
Therefore, do not throw the product away with normal household waste at the end of its service life. Take it to a collection point for the recycling of electrical and electronic device. This is indicated by this symbol on the product, in the operating manual and on the packaging.

Please find out about collection points operated by your local authority.

Help protect the environment by recycling used products.

This device is noise-suppressed according to the applicable EU directives.

This product fulfills the European directives 2005/32/EC and 2014/53/EU.

This device conforms to the safety regulation DIN EN 60065 (VDE 0860) and therefore the international safety regulation IEC 60065. Never open the device casing. The manufacturer will not accept any liability for damage resulting from improper handling. The type plate is located on the bottom of the device.



CONTENU

Consignes de sécurité importantes	3	Mode Aux In	19
Alimentation électrique	4	Réglage manuel de l'heure et de la date	20
Utilisation sur secteur	4	Mise à jour automatique de l'heure	21
Utilisation sur batterie lithium et charge	4	Fonction égaliseur	21
Précautions à l'attention de l'utilisateur	5	Sélection de la langue	21
Première utilisation de la radio	6	Mise à jour du logiciel	22
Commandes	7	Version du logiciel	22
Mode DAB	9	System reset	22
Utiliser de la radio	9	Éclairage de l'écran	23
Sélection d'une station	9	Antenne télescopique supplémentaire en métal	23
Programmes secondaires	9	Garantie	24
Modes d'affichage	10	Caractéristiques	25
Recherche de nouvelles stations	10	Sources de courant	25
Recherche manuelle de stations	10	Plage de fréquences	25
Réglages Dynamic Range Control (DRC)	11	Caractéristiques électroniques	25
Suppression de stations	11	Bluetooth	25
Mode FM	12	Protection de l'environnement	26
Utiliser de la radio	12		
Recherche manuelle de stations	12		
Système d'informations RDS	12		
Modes d'affichage	13		
Réglage de la sensibilité de balayage	13		
Présélections de stations	13		
Mémoire de stations présélectionnées	13		
Rappel de stations présélectionnées	14		
Mode Bluetooth	14		
Connexion Bluetooth avec votre téléphone portable	15		
Écoute de musique à partir de votre téléphone portable	16		
Modes d'affichage	16		
Liste des appareils – Se connecter à l'appareil couplé	16		
Recommencer l'appareillage Bluetooth	17		
Mode USB	17		
Insertion et retrait d'un périphérique de stockage USB	18		
Lecture de fichiers	18		
Mode lecture	19		
Fonction d'information	19		

F



ATTENTION !

LA GARANTIE PREND FIN LORSQUE LE BOITIER DE LA RADIO A ETE OUVERT OU LORSQUE DES MODIFICATIONS ONT ETE APORTEES A LA RADIO. N'OUVREZ JAMAIS LE BOITIER DE L'APPAREIL. LE CONSTRUCTEUR N'ACCEPTERA AUCUNE RESPONSABILITE POUR UN DOMMAGE RESULTANT D'UNE MAUVAISE UTILISATION. LA PLAQUE SIGNALÉTIQUE EST SITUÉE AU DOS DE L'APPAREIL.



La marque et les logos Bluetooth® sont enregistrés comme des marques déposées et détenues par Bluetooth SIG, Inc. et tout usage de ces marques par Perfectpro B.V. se fait sous licence.

CONSIGNES DE SECURITE IMPORTANTES

1. Lisez ces consignes.
2. Conservez ces consignes.
3. Respectez ces avertissements.
4. Suivez ces consignes.
5. Nettoyez seulement avec un chiffon sec.
6. Ne bloquez aucune ouverture de ventilation. Installez selon les consignes.
7. N'installez pas à proximité de sources de chaleur telles que les radiateurs, grilles de chauffage, fourneaux ou autres appareils (y compris les amplificateurs) qui produisent de la chaleur.
8. Ne supprimez pas la fonction de sécurité de la fiche polarisée ou à terre – type de prise. Une fiche polarisée possède deux broches dont une est plus large que l'autre. Une prise à terre possède deux broches et une troisième broche à terre. La broche large ou la troisième broche reliée à la terre sont fournies pour des raisons de sécurité. Si la fiche fournie ne rentre pas dans votre prise, consultez un électricien pour qu'il vous change l'ancienne prise.
9. Protégez le cordon d'alimentation afin qu'il ne soit pas piétiné ou serré, particulièrement au niveau de la fiche, de la prise électrique et à l'endroit où il sort de l'appareil.
10. Utilisez seulement des cordons/accessoires précisés par le fabricant.
11. Utilisez seulement avec le chariot, le support, le trépied, la console ou la table précisés par le fabricant ou vendus avec l'appareil. En utilisant un chariot, faites attention en déplaçant la combinaison chariot/appareil pour éviter de vous blesser en cas de chute.
12. Débranchez cet appareil pendant les orages ou lorsque vous ne l'utilisez pas pendant de longues périodes.
13. Confiez toutes les réparations à du personnel de réparation qualifié. La réparation est requise si cet appareil a été endommagé de quelque manière que ce soit, par exemple si le cordon d'alimentation ou la fiche ont été endommagés, si du liquide a été renversé ou si des objets sont tombés sur l'appareil, si l'appareil a été exposé à la pluie ou à de l'humidité, s'il ne fonctionne pas correctement ou s'il est tombé.
14. Pour réduire les risques de feu ou de choc électrique, n'exposez pas cet appareil à la pluie ou à de l'humidité.
15. N'enlevez pas le dessus de l'appareil, il n'y a pas de pièces de réparation à l'intérieur.
16. Ne placer aucune source de flamme nue sur l'appareil.
17. Lors d'une utilisation en extérieur, pour éviter les chocs électriques, utilisez seulement des piles en cas de pluie ou de temps humide. Afin d'éviter tout risque d'électrocution lorsque la radio a été exposée à la pluie ou à l'eau, le cordon d'alimentation et la fiche doivent être séchés complètement avant d'insérer la fiche dans la prise de courant.
18. La prise de courant doit être à proximité de l'appareil et facile d'accès pour qu'en cas d'urgence, pour couper le courant de l'appareil, vous puissiez simplement débrancher la prise de courant.
19. Les informations légales concernant la radio se trouvent sur la face inférieure de celle-ci.
20. Cet appareil est protégé contre les projections et éclaboussures d'eau (IP65).
21. En cas de perturbations provoquées par une décharge électrostatique ou une pointe de tension, la fiche du cordon d'alimentation de la radio doit être retirée un bref instant de la prise de courant et réinsérée ensuite dans celle-ci.
22. Cet appareil doit être utilisé en climat modéré.
23. Pour éviter d'endommager l'audition, ne pas écouter à volume élevé pendant de longues périodes.
24. Sous l'environnement avec une perturbation de l'immunité conduite / Immunité rayonnée, la radio peut mal fonctionner. Il se récupérera automatiquement à la normale lorsque la perturbation de l'immunité entraînée / l'immunité rayonnée s'est arrêtée.

ALIMENTATION ELECTRIQUE

Utilisation sur secteur

1. Avant d'insérer la fiche du cordon d'alimentation de la radio dans une prise de courant secteur, assurez-vous que la tension du courant secteur soit correct.
2. N'utilisez jamais la fiche du cordon d'alimentation de la radio dans des conditions pluvieuses ou humides afin d'éviter un court-circuit ou d'empêcher l'humidité de pénétrer dans la radio. Dans ces conditions, gardez les protections en caoutchouc bien fermées.

REMARQUE :

Pour déconnecter totalement la radio de l'alimentation, la fiche du cordon d'alimentation doit être retirée entièrement de la prise de courant. La fiche et le cordon d'alimentation doivent rester accessibles à tout moment.

En cas de perturbations provoquées par une décharge électrostatique ou une pointe de tension, la fiche du cordon d'alimentation de la radio doit être retirée de la prise de courant et les piles doivent être déconnectées un bref instant.

UTILISATION SUR BATTERIE LITHIUM ET CHARGE

REMARQUE RELATIVE À LA PREMIÈRE UTILISATION : AVANT D'UTILISER VOTRE RADIO POUR LA PREMIÈRE FOIS, COMMENCEZ TOUJOURS PAR CHARGER LA BATTERIE LITHIUM COMPLÈTEMENT.

Votre radio peut être utilisée sur la batterie Lithium intégrée. Pendant l'utilisation sur piles, le niveau approximatif de la batterie sera signalé par l'icône batterie constitué de 4 segments dans le coin supérieur droit de l'écran LCD. Lorsque le niveau de la batterie est très faible, l'icône « vide » commencera à clignoter. Dans ce cas de figure, la batterie doit être rechargée aussi vite que possible pour permettre une utilisation normale de votre radio.

Le temps de charge de la batterie pour passer de vide à pleine est d'environ 6 à 7 heures (à température ambiante et en mode Standby). Votre radio peut être aussi bien chargée en mode Standby (mode veille) qu'en mode On lorsque l'appareil diffuse de la musique. Lorsque l'appareil diffuse de la musique, le temps de charge peut-être plus long qu'en mode Standby. Lorsque l'appareil est en charge, les segments de l'icône de la batterie s'animeront.

Pour raison de sécurité supplémentaire, votre radio ne commencera pas le processus de charge si la batterie est déjà pleine ou presque pleine.

REMARQUE SUR LE TEMPS D'UTILISATION SUR BATTERIE : La durée d'utilisation sur batterie dépend de plusieurs facteurs tels que : le niveau de volume sélectionné, le type de musique écouté (la musique riche en basses consomme davantage d'énergie), la Source de musique sélectionnée, le réglage EQ sélectionné, la température ambiante et l'âge de la batterie. En fonction de ces variables, un temps d'utilisation compris entre 20 et 26 heures peut être atteint à un niveau de volume moyen.

REMARQUE SUR LA VIE DE LA BATTERIE LITHIUM :

Si la radio n'est pas utilisée pendant une longue période, commencez toujours par charger complètement la batterie. La durée de vie optimale de la batterie intégrée sera atteinte en rechargeant complètement la batterie après chaque usage de la radio, même si elle n'est que partiellement déchargée. La durée de vie de la batterie sera amoindrie si la batterie est laissée longtemps déchargée.

AVERTISSEMENT :

Ne tentez pas de remplacer ou réparer la batterie lithium intégrée. Si vous avez des doutes concernant la batterie lithium intégrée, veuillez contacter le département service client pour plus d'assistance.

AVERTISSEMENT :

Danger d'explosion si la batterie est remplacée de façon incorrecte. N'exposez pas la batterie à une chaleur excessive telle que le soleil, le feu ou autre. La batterie ne doit pas être jetée avec les déchets ménagers et ne doit pas être incinérée. Elle doit être apportée à un centre de recyclage.



INFORMATIONS DE SÉCURITÉ CONCERNANT LA BATTERIE INTERNE RECHARGEABLE LITHIUM POLYMÈRE

La batterie rechargeable intégrée au Lithium polymère utilisée dans cet appareil peut fournir de l'énergie pendant une longue période. Cependant même les batteries Lithium polymères atteignent un point où elles ne peuvent plus être rechargées. Si la batterie ne se recharge toujours pas après plusieurs tentatives, il est possible qu'elle n'ait plus d'énergie. Veuillez alors contacter service@perfectpro.eu pour les informations concernant la réparation.

Cependant si vous ne souhaitez pas que nous remplaçons la batterie, vous devrez recycler les batteries et appareils usagés selon les lois et les règles en vigueur dans votre région. Vous pouvez en plus contacter votre distributeur électronique local ou un centre de recyclage.

Précautions à l'attention de l'utilisateur

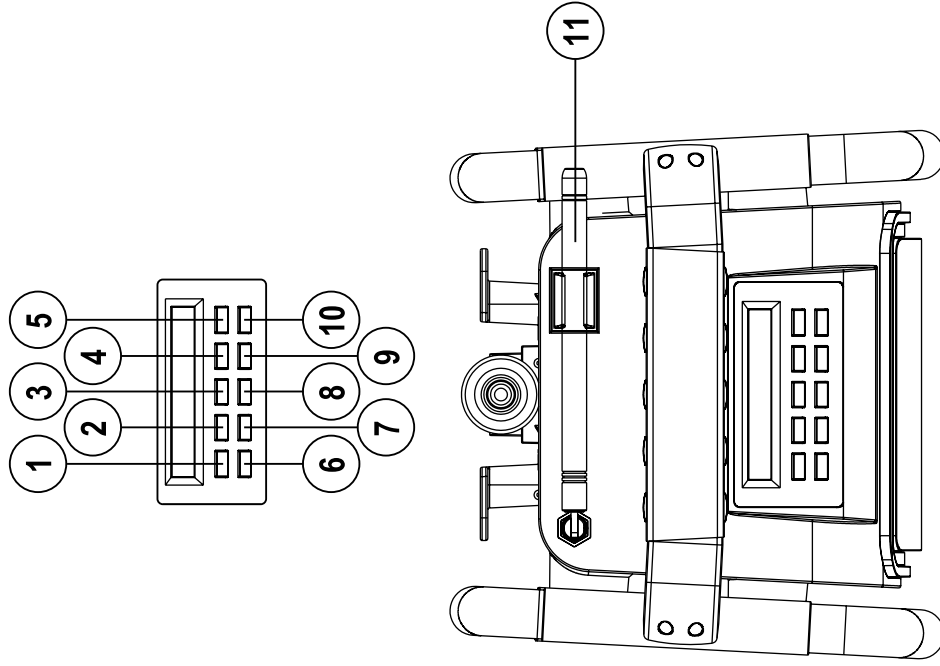
- Vérifiez que la température de la pièce est comprise entre 0°C – 35°C (32° - 95° Fahrenheit) avant de charger la batterie.
- Ne tentez pas de démonter la protection en plastique ou quelque partie de l'appareil que ce soit puisque le matériel situé à l'intérieur peut être toxique et peut endommager la peau ou les vêtements.

- Ne percez pas, n'écrasez pas, ne modifiez pas, ne jetez pas la batterie et ne lui causez pas de choc particulier. En effet la batterie utilisée dans cet appareil peut risquer de s'enflammer, présenter un risque d'explosion ou de brûlure chimique en cas de mauvais traitement.
- Ne laissez pas la batterie, ne la chargez pas et ne l'utilisez pas dans une voiture sous une exposition directe du soleil, près d'un feu ou d'une Source de chaleur.
- N'immergez pas et ne jetez pas la batterie dans l'eau/dans la mer, ne la mouillez pas.
- N'utilisez pas la batterie si elle vous semble anormalement chaude, décolorée ou déformée ou si vous détectez des conditions anormales lorsque vous l'utilisez, la rechargez où la stockez.
- Ne laissez pas une batterie en charge sans surveillance. Gardez la batterie à distance des bébés et des enfants.

PREMIÈRE UTILISATION DE LA RADIO

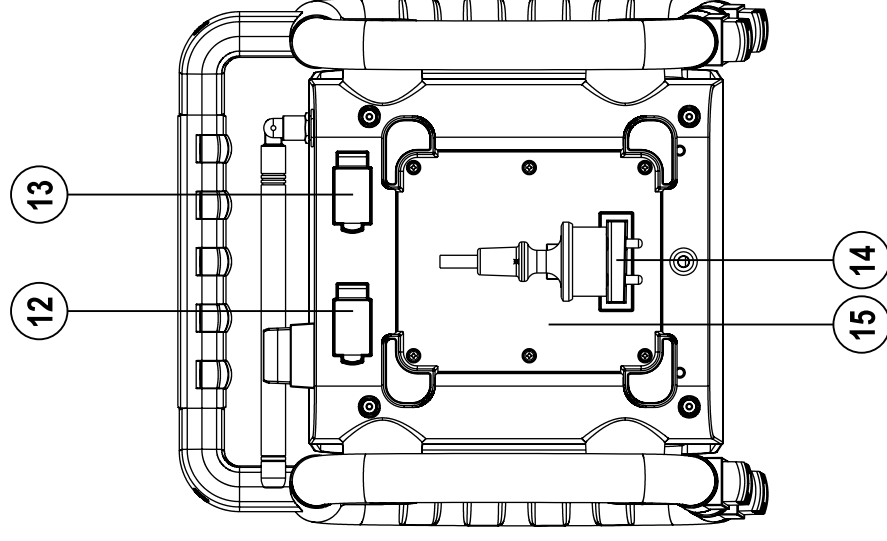
1. Posez la radio sur une surface stable et plane.
2. Relevez l'antenne souple située au-dessus de la radio. Orientez l'antenne verticalement par rapport à la radio.
3. Insérez la fiche du cordon d'alimentation dans une prise de courant. La radio effectuera ensuite automatiquement un balayage de la bande de fréquences DAB et FM.
4. Les 10 stations FM offrant le meilleur signal de réception seront alors mises dans la mémoire de stations. Après ce premier balayage, la radio s'éteindra automatiquement et l'heure et la date actualisées seront ensuite affichées à l'écran.
5. En l'absence de réception d'un signal radio, l'heure et la date ne seront pas actualisées. Il peut alors être nécessaire de placer la radio dans un autre endroit offrant une meilleure réception radio.

COMMANDES



1. Touche On/Off
2. Source
3. Select / Info
4. Fréquence <<
5. Fréquence >>
6. Menu
7. Préselections / ►|| button
8. Egaliseur
9. Volume -
10. Volume +
11. Antenne

COMMANDES



12. Connection USB
13. Aux-In
14. Cordon d'alimentation
15. Compartiment batterie interne

MODE DAB

Utiliser de la radio en mode DAB

1. Relevez l'antenne souple située au-dessus de la radio. Orientez l'antenne verticalement par rapport à la radio. Appuyez sur la **touche On/Off** pour allumer la radio.
2. Appuyez sur la **touche Source** (touche de sélection de la Source audio) pour sélectionner le mode DAB.
3. La première station (dans l'ordre alphanumérique 0...9, A...Z) de la liste de stations sera alors audible et le nom de la station sera affiché à l'écran. Si la radio a déjà été utilisée, la dernière station sélectionnée sera dans ce cas audible.
4. Lorsqu'aucun signal radio n'a été trouvé, le message "Service not available" (Aucune station disponible) sera affiché à l'écran. Il peut être nécessaire dans ce cas de placer la radio dans un autre endroit offrant une meilleure réception. Vous pouvez ensuite effectuer un Auto Scan pour rechercher des stations DAB. Voir le point "**Recherche de nouvelles stations en mode DAB**".

Sélection d'une station en mode DAB

1. Appuyez sur la **touche On/Off** pour allumer la radio.
2. Le nom de la station DAB trouvée sera ensuite affiché à l'écran.
3. Appuyez sur la **touche Fréquence >>** ou **Fréquence <<** pour parcourir la liste des stations DAB disponibles.
4. Lorsque le nom de la station DAB souhaitée apparaît à l'écran, appuyez sur la **touche Select / Info** pour sélectionner la station DAB en question.

Lorsque le message "Service not available" (Aucune station disponible) apparaît à l'écran après avoir sélectionné une station DAB, il peut être nécessaire dans ce cas de placer la radio dans un autre endroit offrant une meilleure réception.

Programmes secondaires - DAB

1. Certaines stations de radio ont un ou plusieurs programmes secondaires associé(s), qui ne sont pas diffusés continuellement. Si une station de radio a un programme secondaire associé, alors ce programme apparaîtra immédiatement après le premier programme dans la liste des noms de stations.
2. Appuyez sur la **touche Select / Info** pour sélectionner le programme secondaire et appuyez sur la touch pour écouter la station.

Affichage en mode DAB

En mode DAB, la radio est capable d'afficher diverses informations.

Appuyez sur la **touche Select / Info** pour parcourir les différentes informations disponibles.

- a. Texte défilant
Affiche des messages de la station DAB que vous écoutez, sous la forme d'un texte défilant.
- b. Type de programme
Affiche le type de programme que vous écoutez, par exemple Pop, Classique, Actualités, etc.
- c. Force du signal
Affiche la force du signal de réception de la station DAB que vous écoutez. Le bloc ouvert indique le niveau minimum du signal nécessaire pour obtenir une bonne réception.
- d. Multiplex & fréquence
Affiche le nom du multiplex et fréquence de la station DAB que vous écoutez.
- e. Débit binaire et type audio
Affiche le débit binaire et le format audio de l'émission.
- f. Date
Affiche la date.

Recherche de nouvelles stations en mode DAB

De temps à autre, il se peut que de nouvelles stations DAB soient disponibles. Pour trouver celles-ci :

1. Appuyez sur la **touche Source** pour sélectionner le mode DAB.
2. Appuyez sur la **touche Menu** et appuyez sur la touche **Select / Info**. La radio effectuera alors un balayage complet des fréquences de la DAB Bande III. Lorsque la radio trouve de nouvelles stations DAB, celles-ci seront ajoutées à la liste des stations DAB disponibles.

Recherche manuelle de stations en mode DAB

Une recherche manuelle vous offre la possibilité de sélectionner directement des stations dans la DAB Bande III.

1. En mode DAB, appuyez sur la **touche Menu**. "Full scan" sera ensuite affiché à l'écran.
2. Appuyez sur la **touche Fréquence >>** ou **Fréquence <<** jusqu'à ce que "Manual tune" sera ensuite affiché à l'écran. Appuyez sur la **touche Select / Info**.
3. Appuyez sur la **touche Fréquence >>** ou **Fréquence <<** pour rechercher la fréquence DAB souhaitée. Appuyez sur la **touche Select / Info** pour sélectionner la fréquence DAB en question.
4. L'affichage de la force du signal indique le niveau du signal capté par la radio. Le bloc ouvert indique le niveau minimum du signal nécessaire pour obtenir une bonne réception. L'affichage de la force du signal change lorsque vous changez la position de l'antenne et/ou de la radio.

5. Lorsque la radio capte un signal DAB, le nom de la station sera affiché à l'écran.
6. Appuyez sur la **touche Select / Info** pour revenir au menu DAB standard.

Réglages Dynamic Range Control (DRC) en mode DAB

La fonction DRC permet de rendre des sons doux plus audibles lorsque la radio est utilisée dans un environnement ou un endroit particulièrement bruyant.

1. En mode DAB, appuyez sur la **touche Menu**. "Full scan" sera ensuite affiché à l'écran.
2. Appuyez sur la **touche Fréquence >>** ou **Fréquence <<** jusqu'à ce que "DRC" soit affiché à l'écran. Appuyez ensuite sur la **touche Select / Info**.
3. Appuyez sur la **touche Fréquence >>** ou **Fréquence <<** pour sélectionner le réglage DRC souhaité (normalement, la fonction DRC est désactivée).

DRC Off fonction DRC désactivée.
 DRC 1/2 niveau DRC réglé à 50% du niveau émis.
 DRC 1 niveau DRC réglé à 100% du niveau émis.

4. Appuyez sur la **touche Select / Info** pour confirmer votre sélection et revenir au menu DAB standard.

Remarque : Toutes les stations DAB n'utilisent pas la fonction DRC. Lorsqu'une station DAB n'émet aucune information DRC, les réglages DRC n'auront aucun effet sur la radio.

Suppression de stations (fonction 'prune') en mode DAB

Lorsque vous vous rendez dans une autre région ou dans un autre pays, il se peut que certaines stations DAB ne soient plus disponibles. Il se peut également que certaines stations DAB arrêtent d'émettre ou changent de fréquence. La fonction "Prune" (Suppression) permet de supprimer de la liste des stations DAB, les stations DAB qui ne sont plus disponibles.

1. En mode DAB, appuyez sur la **touche Menu**.
2. Appuyez sur la **touche Fréquence >>** ou **Fréquence <<** jusqu'à ce que "Prune" (Suppression) soit affiché à l'écran.
3. Appuyez ensuite sur la **touche Select / Info**.
4. Appuyez sur la **touche Fréquence >>** ou **Fréquence <<** pour sélectionner "Yes"(Oui) ou "No"(Non) (Le réglage standard est Non).
5. Appuyez sur la **touche Select / Info** pour confirmer votre sélection et revenir au menu DAB standard.

Remarque : Lorsque vous vous rendez dans une autre région ou dans un autre pays, il est conseillé d'effectuer une recherche des nouvelles stations DAB disponibles. Voir à cet effet le point "Recherche de nouvelles stations en mode DAB".

MODE FM

Utilisation de la radio en mode FM

1. Appuyez sur la **touche On/Off** pour allumer la radio.
2. Appuyez sur la **touche Source** (touche de sélection de la Source audio) pour sélectionner le mode FM.
3. Lors de la première utilisation de la radio, la station FM dans la mémoire de présélection 1 sera sélectionnée. Si la radio a déjà été utilisée dans le passé, la dernière station FM écoutée sera dans ce cas sélectionnée.
4. Appuyez sur la **touche Fréquence >>** ou **Fréquence <<** en maintenez pour démarrer la recherche automatique de stations FM.
5. La radio lancera alors la recherche et s'arrêtera automatiquement lorsqu'elle trouve une station FM offrant une bonne réception.
6. Pour rechercher une autre station FM, appuyez de nouveau sur la **touche Fréquence >>** ou **Fréquence <<** en maintenez.
7. Lorsque la fin de la plage de fréquences FM est atteinte, la radio recommencera la recherche depuis l'autre extrémité de la plage de fréquences FM.

Recherche manuelle de stations en mode FM

1. Appuyez sur la **touche On/Off** pour allumer la radio.
2. Appuyez sur la **touche Source** pour sélectionner le mode FM.
3. Appuyez sur la **touche Fréquence >>** ou **Fréquence <<** pour atteindre la station FM souhaitée. La fréquence changera par incréments de 50 kHz.
4. Tournez éventuellement l'antenne pour obtenir une meilleure réception.
5. Lorsque la fin de la plage de fréquences FM est atteinte, la radio recommencera la recherche depuis l'autre extrémité de la plage de fréquences FM.

Système d'informations RDS en mode FM

Le RDS (Radio Data System) est un système d'informations par lequel des informations numériques non audibles sont transmises en plus du programme radio FM normal. Lorsque la radio capte une station RDS et que la réception est suffisamment bonne, le nom de la station FM apparaîtra à l'écran LCD. Un certain temps peut s'écouler avant que les informations RDS soient disponibles.

Activation du système d'informations RDS

Lorsque vous écoutez une station FM comportant le système RDS, appuyez plusieurs fois sur la **touche Select / Info** pour parcourir les informations RDS disponibles. Ceci fonctionne uniquement lorsque la réception est suffisamment bonne et claire.

- Radio Texte (RT) Affiche des messages de la station FM que vous écoutez, sous la forme d'un texte défilant.
- Type de Programme (PTY) Affiche le type de station FM que vous écoutez.
Exemples : Pop, Classique, Actualités, etc.
- Force du signal Affiche la force du signal de réception de la station FM que vous écoutez.
- Fréquence Affiche la fréquence de la station FM que vous écoutez.
- Date Affiche la date.

Réglage de la sensibilité de balayage en mode FM

La radio effectue normalement un balayage de toutes les stations FM, y compris celles dont le signal est faible. Il vous est toutefois possible de régler la fonction de balayage de telle sorte que seules les stations FM dont le signal est fort assez pour offrir une bonne réception, soient captées.

- Appuyez sur la **touche On/Off** pour allumer la radio.
- Appuyez sur la **touche Source** pour sélectionner le mode FM.
- Appuyez sur la **touche Menu**. "Scan setting" (Réglage de la sensibilité de balayage) sera ensuite affiché à l'écran. Appuyez sur la **touche Select / Info**.
- Appuyez sur la **touche Fréquence >>** ou **Fréquence <<** pour sélectionner "All stations" or "Strong stations only". Le réglage standard est "Strong stations only". Lorsque l'option "Strong station" (Stations au signal fort) a été sélectionnée, la radio captera, lors du balayage des stations FM, uniquement les stations dont le signal est fort.
- Appuyez sur la **touche Select / Info** pour confirmer le réglage.

PRÉSELECTIONS DE STATIONS

Mémoire de stations présélectionnées

La radio possède 20 emplacements de mémoire de stations présélectionnées, 10 pour la FM et 10 pour la DAB. Les stations présélectionnées seront conservées dans la mémoire de la radio même en cas de coupure de courant.

- Appuyez sur la **touche On/Off** pour allumer la radio.
- Appuyez sur la **touche Source** pour sélectionner le mode FM ou DAB.
- Sélectionnez la station souhaitée.
- Appuyez sur la **touche de Présélections** souhaitée jusqu'à ce que la radio affiche "Preset 01 : Empty".

- Appuyez sur la **touche Fréquence >>** ou **Fréquence <<** pour choisir l'emplacement désiré (1-10). Appuyez sur la **touche Select / Info**. La radio affiche "Preset 01 : Stored".
- Répétez les étapes 3, 4 et 5 pour les autres présélections.
- Les stations présélectionnées et mémorisées peuvent être écrasées en répétant les points ci-dessus.

Rappel de stations présélectionnées

- Appuyez sur la **touche On/Off** pour allumer la radio.
- Appuyez sur la **touche Source** pour sélectionner le mode FM ou DAB.
- Appuyez brièvement sur la **touche de Présélections**.
- Appuyez sur la **touche Fréquence >>** ou **Fréquence <<** pour choisir le station désiré (1-10).
- Appuyez sur la **touche Select / Info**.

MODE BLUETOOTH

Le mode Bluetooth de votre système son vous permet de lire de l'audio, du son de fichiers video, et d'écouter la musique d'appareils tels que votre téléphone portable, votre ordinateur, votre tablette etc. dans les haut-parleurs de votre Teambox.

- Lorsque qu'un appareil compatible Bluetooth tel que votre système son Teambox est « détectable », d'autres appareils bluetooth peuvent le détecter, s'appairer avec ou s'y connecter.
- L'appairage Bluetooth survient lorsque les appareils compatibles Bluetooth acceptent d'établir une connexion et de communiquer entre eux.

La performance de la connectivité Bluetooth peut varier en fonction des appareils Bluetooth connectés. Veuillez vous référer aux capacités Bluetooth de votre appareil avant de le connecter à votre système son. Toutes les caractéristiques peuvent ne pas être compatibles avec vos appareils Bluetooth.

Une connexion Bluetooth peut fournir un lien pour l'audio jusqu'à environ 10 mètres. Lorsque vous appairez deux appareils compatibles Bluetooth, nous recommandons qu'ils ne soient pas éloignés de plus de deux trois mètres. La présence d'autres appareils Bluetooth pendant la connexion peut provoquer des difficultés opérationnelles.

Le Bluetooth est un système de communication radio de courte portée et en général les appareils Bluetooth peuvent communiquer correctement dans une pièce ou un bureau de taille moyenne. La fiabilité de la connexion Bluetooth entre différentes pièces dépendra majoritairement des matériaux du bâtiment.

La portée du Bluetooth communication peut être considérablement réduite si le signal passe à travers un objet solide. Les corps humains, les murs de brique et de béton, les

meubles lourds ou les bibliothèques réduiront la portée de vos appareils Bluetooth. Les murs en verre, les cloisons sèches ou les panneaux de bois et séparation de bureaux pourront avoir un impact moins important. Les tuyaux en métal, les plaques de plâtre et l'installation électrique domestique peuvent également avoir un effet. Vous devez positionner vos appareils Bluetooth le plus près l'un de l'autre que possible si vous observez des problèmes de communication.

Les réseaux WiFi et les téléphones sans fil utilisent généralement des fréquences radio similaires au Bluetooth et peuvent interférer entre eux. Si vous notez des interférences, tentez alors de repositionner le système son ou l'un des autres appareils.

Les capacités Bluetooth de votre système son lui permettent de recevoir de l'audio depuis de nombreux appareils compatibles Bluetooth incluant les téléphones portables, les PCs et les tablettes. Seul un appareil à la fois peut être connecté à votre système son. Il est compatible avec les profils Bluetooth suivants :

- Votre Teambbox est compatible avec A2DP (Advanced Audio Distribution Profile) qui est une connexion audio stereo qui diffuse de la musique depuis les pcs, téléphones portables etc. Les codecs audio SBC et AAC sont compatibles.
- Votre Teambbox est compatible avec AVRCP (Audio Video Remote Control Profile) ce qui permet à votre radio de contrôler la lecture de votre musique depuis l'appareil connecté.

REMARQUE : Certains téléphones portables peuvent se déconnecter temporairement de votre système son lorsque vous passez ou recevez un appel. Certains appareils peuvent temporairement mettre en mode muet le streaming audio pendant que vous recevez des textos, des emails ou pour d'autres raisons liées au streaming audio. De tels comportements sont la conséquence des caractéristiques de l'appareil connecté et n'indiquent pas un défaut de votre système son.

Connexion Bluetooth avec votre téléphone portable

1. Appuyez sur la **touche On/Off** pour allumer la radio.
2. Appuyez sur la **touche Source** pour sélectionner le mode Bluetooth.
3. "Connecting" sera ensuite affiché à l'écran.
4. Appelez le menu Bluetooth sur votre téléphone portable et sélectionnez "Teambbox" dans la liste des appareils Bluetooth (ces instructions de connexion peuvent varier en fonction du modèle de votre téléphone portable. Pour plus de détails, veuillez consulter le mode d'emploi de votre téléphone portable).
5. Dès que votre téléphone portable parvient à établir une connexion avec la radio, l'écran affiche ensuite le nom du téléphone portable connecté.
6. L'écran affiche ensuite le nom du téléphone portable connecté.

Ecoute de musique à partir de votre téléphone portable

1. Appuyez sur la **touche On/Off** pour allumer la radio.
2. Appuyez sur la **touche Source** pour sélectionner le mode Bluetooth.
3. Écoutez la musique souhaitée à partir des lecteurs de média de votre téléphone portable.
4. Utilisez les touches **Préselections / ► ||, Tuning <<**, et **Tuning >>** sur de la radio pour commander les différentes fonctions d'écoute de vos morceaux préférés.
5. Après avoir écouté de la musique, le nom de la chanson s'affiche à l'écran.

Modes d'affichage

En mode Bluetooth, la radio peut afficher une série d'informations à propos de la musique en écoute.

Appuyez sur la **touche Select / Info** pour naviguer entre les différents types.

- a. Titre Affiche le nom du titre.
- b. Artiste Affiche le nom de l'artiste.
- c. Album Affiche le nom de l'album d'où provient la chanson.
- d. Heure et date Affiche l'heure et la date actuelles.

Liste des appareils – Se connecter à l'appareil couplé

Sur cette radio, vous pouvez sélectionner l'appareil Bluetooth à appairer dans la Liste des appareils afin de vous reconnecter à cet appareil. Les noms des appareils s'afficheront dans la liste si le nom du Bluetooth a été préalablement configuré dans les appareils mobiles. Référez-vous au mode d'emploi de votre téléphone portable pour la configuration.

La liste des appareils peut-être consultée en suivant ces instructions :

1. En mode Bluetooth, appuyez sur la **touche Menu** pour entrer dans le menu réglage.
2. Appuyez sur la **touche Fréquence >>** ou **Fréquence <<** pour jusqu'à ce que « Device list » s'affiche à l'écran ; appuyez sur la **touche Select / Info**.
3. Appuyez sur la **touche Fréquence >>** ou **Fréquence <<** pour voir le nom des appareils.
4. Appuyez sur la **touche Select / Info** pour commencer la reconnexion Bluetooth. La radio se reconnectera automatiquement à l'appareil mobile sélectionné.

Remarque : Cette radio peut mémoriser jusqu'à **8 appareils Bluetooth**. Lorsque la mémoire dépasse ce nombre, le premier appareil couplé sera effacé de la radio.

Remarque : Si vous avez effacé « Teambbox » de la liste des appareils de votre téléphone portable, la reconnexion automatique ne pourra s'établir.

Recommencer l'appareillage Bluetooth

La fonction Bluetooth peut être gérée de différentes manières :

1. En mode Bluetooth, appuyez sur la **touche Menu** pour entrer dans le menu de réglages. L'écran d'affichage affichera « Discoverable » (Non connecté) et appuyez sur la **touche Select / Info**.
2. L'écran d'affichage affichera « Connecting » et le Bluetooth de la radio sera alors disponible pour être connecté à un autre appareil mobile jusqu'il sera désormais en mode visible.

Remarque : "Discoverable" est l'option qui force le Bluetooth de la radio à se déconnecter de l'appareil mobile et à devenir visible pour un autre appareillage. Si aucun nouvel appareil est appareillé, le Bluetooth de la radio tentera automatiquement de se reconnecter au dernier appareil couplé lorsque la radio sera rallumée.

La fonction Auto-Power Management sera activée en mode Bluetooth. S'il n'y a pas de signal pendant plus de 15 minutes, la radio se mettra automatiquement en mode veille. Appuyez sur la **touche On/Off** pour enclencher la radio à nouveau.

MODE USB

NE JAMAIS UTILISER LE PORT USB OU LA PRISE AUX-IN DANS DES CONDITIONS HUMIDES OU PLUVIEUSES POUR EVITER QUE L'HUMIDITÉ PENETRE DANS LA RADIO! GARDER LA PROTECTION EN CAOUTCHOUC FERMEE DANS CES CONDITIONS.

Les fichiers MP3, AAC, FLAC et WAV contenus dans le périphérique de stockage USB peuvent être lus sur la radio.

Cette radio a été testée avec une large gamme de périphériques de stockage USB allant jusqu'à 32 Go. Cependant, de nombreux fabricants sont présents sur le marché, il n'est donc pas garanti que toutes les marques de cartes mémoire soient compatibles avec la radio. Le périphérique de stockage mémoire doit posséder un système de fichiers FAT ou FAT32 afin de pouvoir être utilisé avec la radio.

Les formats audios supportés sont les formats MP3, AAC, FLAC et WAV. La radio ne lit pas les de format comprenant une protection DRM.

L'emplacement pour le connecteur USB est situé à l'arrière de la radio sous la protection en caoutchouc. Assurez-vous que la protection en caoutchouc est bien fermée après usage afin d'éviter que l'humidité et la saleté ne pénètrent dans la radio.

Le périphérique de stockage USB ne doit pas être retiré pendant la lecture d'un fichier, les fichiers pouvant alors être endommagés ou corrompus.

Le périphérique de stockage USB ne sont pas inclus avec cette radio.

Remarque : Lorsque la radio lit un périphérique de stockage USB, elle consomme davantage de puissance et la charge des piles est donc interrompue pour assurer un fonctionnement normal de la radio et une lecture optimale du périphérique de stockage USB. Lorsque le périphérique de stockage USB est retiré, la charge des piles reprend normalement.

Insertion et retrait d'un périphérique de stockage USB

Insérez méticuleusement un périphérique de stockage USB dans le port USB. Pour retirer un périphérique de stockage USB, tirez simplement sur le périphérique.

Lecture de fichiers

1. Appuyez sur la **touch On/Off** pour allumer la radio.
2. Appuyez sur la **touch Source** pour sélectionner le mode USB. L'écran affiche "Reading" (en lecture). La lecture des fichiers du périphérique de mémoire par la radio peut prendre un certain temps.
3. Après avoir lu le périphérique de stockage USB, la radio commencera lire le premier fichier (chanson) du premier dossier. Si aucun périphérique de stockage USB n'est inséré, l'écran affichera « No USB Stick ».
4. Pour mettre la lecture en pause, appuyez sur la **touche Préselections / ►||**. Appuyez sur la **touche Préselections / ►||** à nouveau pour reprendre la lecture.
5. Pour passer au fichier suivant, appuyez sur la **touche Tuning >>**.
6. Pour relire le fichier précédent, appuyez sur la **touche Tuning <<**.
7. Lorsque le fichier est en lecture, appuyez sur la **touche Tuning >>** ou sur la **touche Tuning <<**. Relâchez la touch lorsque la partie désirée du fichier est atteinte.
8. Pour passer au dossier suivant, appuyez sur la **touche Menu** pendant 2 sec., et appuyez sur la **touche Fréquence >>**.
9. Pour relire le fichier précédent, appuyez sur la **touche Fréquence <<**.

La radio supporte un nombre limité de dossiers et de fichiers lors de la recherche :

Mode	Nombre max. de dossiers supportés	Nombre max. de fichiers supportés
Stop	999 (avec le nom de dossier)	9999 (avec le nom de fichier)
Play	999 (1-99 avec le nom de dossier) (100-999 sans le nom de dossier)	9999 (1-999 avec le nom de fichier) (1000-9999 sans le nom de fichier)

Mode lecture

Lorsque le périphérique de stockage USB est en lecture :

1. Appuyez sur la **touche Menu**.
2. Appuyez sur la **touche Fréquence >>** ou **Fréquence <<** jusqu'à ce que l'écran affiche « USB setting » (mode lecture). Appuyez sur la **touche Select / Info**.
3. Appuyez sur la **touche Fréquence >>** ou **Fréquence <<** pour sélectionner le mode de lecture souhaité et Appuyez sur la **touche Select / Info**.

La radio af cherera les options suivantes :

Normal play → Repeat track → Repeat folder → Repeat all → Shuffle

Normal play	Lecture répétée de la piste en cours
Repeat track	Joue en boucle les fichiers dans le dossier que vous êtes en train d'écouter.
Repeat folder	Lecture répétée de toutes les pistes sur le dispositif de mémoire.
Repeat all	Les fichiers sur le dispositif de mémoire seront lus au hasard.
Shuffle	

Le mode de lecture sélectionné est indiqué par un ic ne à droite sur la ligne du haut de l'écran d'af chage. Aucune icône n'est af ch lorsque la radio est en mode de lecture normal.

Fonction d'information

Pendant l'utilisation d'un périphérique de stockage, appuyez sur la **touche Select / Info** pour naviguer entre les informations suivantes (uniquement si ces informations sont présentes sur le fichier d'origine du périphérique) :

Statut de lecture -> Nom de l'artiste -> Nom de l'album -> Bitrate -> Nom de la chanson -> Statut de lecture

MODE AUX IN

Une prise Aux In stéréo de 3,5 mm est prévue derrière la coiffe en caoutchouc, et permet d'y brancher des appareils audio externes tels que lecteur MP3 ou lecteur de CD (non fourni avec la radio).

1. Raccordez un lecteur externe à la prise Aux In.
2. Appuyez sur la **touche Source** pour sélectionner le mode AUX IN. "AUX IN" sera alors affiché à l'écran.
3. Allumez et démarrez le lecteur externe.
4. Réglez le volume de la radio et du lecteur externe au niveau d'écoute souhaité.
5. Assurez-vous que le couvercle en caoutchouc est à nouveau correctement fermé après utilisation, afin que l'humidité et la saleté ne puissent pas pénétrer dans la radio.

Remarque : N'utilisez jamais la prise AUX IN sous la pluie ou dans un environnement humide, de façon à éviter que de l'humidité pénètre dans la radio. Conservez dans ce cas la coiffe en caoutchouc toujours bien fermée.

La fonction de gestion automatique de l'alimentation sera activée en mode AUX IN. En l'absence de signal d'entrée à la prise AUX IN pendant plus de 15 minutes, la radio se mettra automatiquement en mode standby (veille). Pour rallumer la radio, appuyez sur la touche On/Off.

REGLAGE MANUEL DE L'HEURE ET DE LA DATE

Lorsqu'aucune touche n'est activée pendant 30 secondes, la radio quittera le mode de réglage de l'heure et l'heure réglée sera annulée.

1. Appuyez sur la **touche On/Off** pour allumer la radio.
2. Appuyez sur la **touche Menu**.
3. Appuyez sur la **touche Fréquence >>** ou **Fréquence <<** jusqu'à ce que "System Settings" soit affiché à l'écran et appuyez sur la **touche Select / Info**.
4. Appuyez sur la **touche Fréquence >>** ou **Fréquence <<** jusqu'à ce que "Time/Date" soit affiché à l'écran et appuyez sur la **touche Select / Info**.
5. Appuyez sur la **touche Fréquence >>** ou **Fréquence <<** jusqu'à ce que "Set Time/Date" soit affiché à l'écran et appuyez sur la **touche Select / Info**.
6. Le chiffres du jour clignoteront.
7. Appuyez sur la **touche Fréquence >>** ou **Fréquence <<** jusqu'à ce que le jour correct soit affiché à l'écran.
8. Appuyez sur la **touche Select / Info**. Les chiffres du mois clignoteront à l'écran.
9. Appuyez sur la **touche Fréquence >>** ou **Fréquence <<** pour sélectionner les chiffres du mois.
10. Appuyez sur la **touche Select / Info**. Les chiffres de l'année clignoteront à l'écran.
11. Appuyez sur la **touche Fréquence >>** ou **Fréquence <<** pour sélectionner les chiffres de l'année et appuyez la **touche Select / Info**. Les chiffres de l'heure clignoteront à l'écran.
12. Appuyez sur la **touche Fréquence >>** ou **Fréquence <<** pour sélectionner les chiffres de l'heure.
13. Appuyez sur la **touche Select / Info**. Les chiffres des minutes clignoteront à l'écran.
14. Appuyez sur la **touche Fréquence >>** ou **Fréquence <<** pour sélectionner les chiffres des minutes.
15. Appuyez sur la **touche Select / Info** pour confirmer la sélection.

Mise à jour automatique de l'heure

Votre radio mettra normalement l'heure à jour automatiquement.

1. Appuyez sur la **touche On/Off** pour allumer la radio.
2. Appuyez sur la **touche Menu**.
3. Appuyez sur la **touche Fréquence >>** ou **Fréquence <<** jusqu'à ce que "System Settings" soit affiché à l'écran et appuyez sur la **touche Select / Info**.

- Appuyez sur la **touche Fréquence >>** ou **Fréquence <<** jusqu'à ce que "Time/Date" soit affiché à l'écran et appuyez sur la **touche Select / Info**.
- Appuyez sur la **touche Fréquence >>** ou **Fréquence <<** jusqu'à ce que "Time auto update" soit affiché à l'écran et appuyez sur la **touche Select / Info**.
- Appuyez sur la **touche Fréquence >>** ou **Fréquence <<** pour circuler et éclairer les différents modes :

« Any » MAJ depuis DAB et FM
 « DAB » MAJ depuis DAB
 « FM » MAJ depuis FM
 « No update » Pas de mise à jour

- Appuyez sur la **touche Select / Info** pour confirmer votre sélection

Remarque : Si le signal est suffisant et que vous sélectionnez les options « Update from DAB » ou « Update from FM », l'heure sera automatiquement mise à jour. La synchronisation de l'heure peut prendre quelques minutes.

FONCTION EGALISEUR

Le son de la votre radio peut être ajusté selon vos goûts personnels en fonction de la musique que vous écoutez.

- Appuyez sur la **touche On/Off** pour allumer la radio.
- Appuyez sur la **touche EQ**.
- Appuyez sur la **touche Fréquence >>** ou **Fréquence <<** pour sélectionner Neutral > Rock > Indoor > Jazz > Outdoor
- Appuyez sur la **touche Select / Info** pour confirmer votre sélection.

SELECTION DE LA LANGUE

La radio peut être réglée de façon à ce que l'affichage soit dans la langue de votre choix.

- Appuyez sur la **touche On/Off** pour allumer la radio.
- Appuyez sur la **touche Menu** et appuyez sur la **touche Fréquence >>** ou **Fréquence <<** jusqu'à ce que "System settings" soit affiché à l'écran.
- Appuyez sur la **touche Select / Info** et appuyez sur la **touche Fréquence >>** ou **Fréquence <<** ensuite celui-ci jusqu'à ce que "Language" (Langue) soit affiché à l'écran.
- Appuyez sur la **touche Select / Info** pour entrer dans le menu de sélection de la langue.
- Appuyez sur la **touche Fréquence >>** ou **Fréquence <<** pour sélectionner la langue souhaitée. Le réglage standard est l'anglais.
- Appuyez sur la **touche Select / Info** pour confirmer votre sélection.

MISE À JOUR DU LOGICIEL

De temps en temps, de nouvelles fonctionnalités logicielles pour votre radio peuvent être développées. Le **Teambox** est donc conçu pour pouvoir mettre à jour le logiciel interne via une connexion USB.

Ne lancez pas de mise à jour à moins que le service client ne vous le recommande. La mise à jour du logiciel peut supprimer toutes les stations de radio et les paramètres d'alarme.

VERSION DU LOGICIEL

Il n'est pas possible de modifier l'affichage de la version du logiciel. Cet affichage est donné uniquement à titre d'information

- Appuyez sur la **touche On/Off** pour allumer la radio.
- Appuyez sur la **touche Menu** et Appuyez sur la **touche Fréquence >>** ou **Fréquence <<** jusqu'à ce que "System settings" soit affiché à l'écran.
- Appuyez sur la **touche Select / Info** et appuyez sur la **touche Fréquence >>** ou **Fréquence <<** ensuite celui-ci jusqu'à ce que "SW version" (Version du logiciel) soit affiché à l'écran.
- Appuyez sur la **touche Select / Info** pour voir la version du logiciel.

SYSTEM RESET

Lorsque la radio ou l'affichage ne fonctionne pas correctement ou en l'absence d'affichage, suivez la procédure ci-dessous.

- Appuyez sur la **touche On/Off** pour allumer la radio.
- Appuyez sur la **touche Menu**.
- Appuyez sur la **touche Fréquence >>** ou **Fréquence <<** jusqu'à ce que "System setting" soit affiché à l'écran.
- Appuyez sur la **touche Select / Info** et appuyez sur la **touche Fréquence >>** ou **Fréquence <<** jusqu'à ce que "Factory reset" (Réglages d'usine) soit affiché à l'écran.
- Appuyez sur la **touche Select / Info** et appuyez sur la **touche Fréquence >>** ou **Fréquence <<** pour sélectionner "Yes" ("Oui") ou "No" ("Non").
- Appuyez sur la **touche Select / Info** pour confirmer votre sélection.
- Une réinitialisation complète de la radio sera alors effectuée. La mémoire de stations présélectionnées sera effacée et tous les réglages personnels seront annulés. Les réglages d'usine seront ensuite restaurés. La radio effectuera ensuite automatiquement un balayage de la plage de fréquences DAB et FM.

En cas de perturbations provoquées par une décharge électrostatique, procédez à la réinitialisation de la radio comme décrit ci-dessus. En cas d'échec, retirez la fiche du cordon d'alimentation de la prise de courant et enlevez les piles. Rebranchez ensuite le cordon d'alimentation et réinsérez les piles dans la radio.

ECLAIRAGE DE L'ECRAN

Configuration du rétro-éclairage de l'écran d'affichage LCD

1. Appuyez sur la **touche On/Off** pour allumer la radio.
2. Appuyez sur la **touche Menu** puis appuyez sur la **touche Fréquence >>** ou **Fréquence <<** jusqu'à ce que l'écran affiche « System settings ».
3. Appuyez sur la **touche Select / Info** ; Appuyez sur la **touche Fréquence >>** ou **Fréquence <<** jusqu'à ce que l'écran affiche « Backlight » (LCD éclairage).
4. Appuyez sur la **touche Select / Info** pour entrer dans le menu de réglage du rétro-éclairage de l'écran d'affichage LCD.
5. Appuyez sur la **touche Fréquence >>** ou **Fréquence <<** pour sélectionner « Radio on » afin de garder le rétro-éclairage continuellement allumé lorsque la radio fonctionne sur secteur.
6. Ou Appuyez sur la **touche Fréquence >>** ou **Fréquence <<** pour sélectionner « Radio standby » afin que lorsque vous utilisez la radio sur secteur.
7. Appuyez sur la **touche Select / Info** pour confirmer votre choix.
8. Appuyez sur la **touche Fréquence >>** ou **Fréquence <<** pour sélectionner high/medium/low/off.
9. Appuyez sur la **touche Select / Info** pour confirmer votre choix.

ANTENNE TÉLESCOPIQUE SUPPLÉMENTAIRE EN MÉTAL

Vous pouvez utiliser cette antenne télescopique en métal sur votre radio en remplacement de l'antenne flexible montée d'origine, lorsque vous vous trouvez dans des régions ou des endroits où le signal radio (FM/DAB/DAB+) est faible à très faible.

Remarque : contrairement à l'antenne flexible montée d'origine sur la radio, cette antenne télescopique en métal n'est pas flexible.

Installation de l'antenne : Dévissez prudemment l'antenne flexible d'origine. **Desserrez d'abord celle-ci avec précaution** à l'aide d'une clé plate à fourche de 14 mm en tournant celle-ci dans le sens inverse des aiguilles d'une montre. Vissez ensuite prudemment l'antenne télescopique en métal et **serrez celle-ci sans forcer** à l'aide d'une clé plate à fourche de 14 mm en tournant dans le sens des aiguilles d'une montre.

ATTENTION : Evitez de forcer sur la clé plate à fourche de 14 mm de façon à ne pas endommager l'extrémité filetée de l'antenne.

GARANTIE

Ce produit est garanti pendant deux ans.

AVERTISSEMENT : LA GARANTIE PREND FIN LORSQUE LE BOITIER DE LA RADIO A ETE OUVERT OU LORSQUE LA RADIO A ETE MODIFIEE DE QUELQUE MANIERE QUE CE SOIT PAR L'UTILISATEUR FINAL.

La garantie de la radio ne couvre pas :

- Les dommages et le bris résultant d'une utilisation non correcte, d'un usage abusif, d'une négligence, de modifications, d'accidents ou de réparations non autorisées.
- L'usure normale en cours d'utilisation.
- Le bris ou la courbure excessive de l'antenne télescopique en métal.

N'OUVREZ JAMAIS LE BOITIER DE L'APPAREIL. LE CONSTRUCTEUR N'ACCEPTERA AUCUNE RESPONSABILITÉ POUR UN DOMMAGE RESULTANT D'UNE MAUVAISE UTILISATION. LA PLAQUE SIGNALÉTIQUE EST SITUÉE AU DESSOUS DE L'APPAREIL.

CARACTÉRISTIQUES

Sources de courant

Courant secteur : 230 V ~ 50/60hz
Batterie Lithium polymère intégrée : 11.1 v, 4000mAh

Plage de fréquences

DAB 174.928 – 239.200 MHz
FM 87,5 – 108 MHz

Caractéristiques électroniques

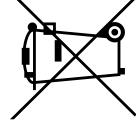
Sortie USB : 5V, 1A pour charger des téléphones mobiles via un câble USB autorisé
Haut-parleur : ø5 inch + ø1 inch
Puissance de sortie: 25 watts
Prise Aux In : 3,5 mm Stéréo
Système d'antenne : Antenne DAB
Antenne FM

Bluetooth

Version 4.1 Supports pour profils Bluetooth A2DP et AVRCP.

La société se réserve le droit de modifier ces caractéristiques sans préavis.

Protection de l'environnement



Ce produit est fabriqué avec des pièces et des matériaux de qualité, susceptibles d'être réutilisés et recyclés. Lorsque ce produit a atteint la fin de sa vie utile, ne le jetez pas avec les ordures ménagères ordinaires, mais confiez-le à un point de collecte et de recyclage d'appareils électriques et électroniques. Le symbole ci-contre figure à cet effet sur le produit, dans le mode d'emploi ainsi que sur l'emballage. Veuillez-vous informer auprès des autorités communales au sujet des points de collecte les plus proches de chez vous. Aidez à protéger l'environnement en recyclant les produits usagés.



La radio est déparasitée conformément aux directives EU en vigueur.

Ce produit satisfait aux directives européennes 2005/32/CE et 2014/53/EU.

La radio satisfait à la réglementation en matière de sécurité DIN EN 60065 (VDE 0860) et dès lors à la réglementation internationale en matière de sécurité IEC 60065.

Ne jamais ouvrir le boîtier de la radio. Le fabricant décline toute responsabilité en cas de dommages résultant d'une utilisation non correcte ou abusive de la radio.



INHOUDSOPGAVE

Belangrijke veiligheidsinstructies	3	Aux-in Modus	19
Stroomvoorziening	4	De klok instellen	19
Gebruik op netstroom	4	Automatische update	20
Lithium batterij gebruiken en laden	4	Equalizer	21
Voorzorgsmaatregelen gebruiker	5	Taal	21
Het apparaat voor de eerste keer gebruiken	6	Software-update	21
Bedieningselementen	7	Software versie	21
DAB+ Digitale Radio modus	9	Systeem reset	22
De radio bedienen	9	Display verlichting	22
Een DAB-zender selecteren	9	Metalen telescopische antenne	23
Secundaire diensten	9	Garantie	23
Weergavemodi	10	Specificaties	24
Het vinden van nieuwe zenders	10	Stroombron	24
Handmatig afstemmen	10	Frequentiebereik	24
Dynamic Range Control (DRC) instellingen	11	Circuit functies	24
Niet-beschikbare zenders verwijderen	11	Bluetooth	24
FM Radio modus	12	Opmerking over milieubescherming	24
De radio bedienen	12		
Handmatig afstemmen	12		
RDS-informatie	12		
Weergavemodi	13		
Scan gevoeligheid instelling	13		
Voorkeurzenders	13		
Voorkeurzenders opslaan	13		
Voorkeurzenders oproepen	14		
Bluetooth	14		
Bluetooth koppelen met uw mobiele telefoon	15		
Muziek afspelen vanaf uw mobiele telefoon	15		
Weergavemodi	16		
Device List – Afspelen vanaf een apparaat waarmee eerder is gekoppeld	16		
Bluetooth koppelen opnieuw starten	16		
USB Modus	17		
Een USB-stick aansluiten en verwijderen	17		
Muziekbestanden afspelen	18		
Af speelmodus	18		
Infunctie	19		



WAARSCHUWING!

DE GARANTIE VERVALT INDIEN DE BEHUIZING VAN HET APPARAAT GEOPEND IS OF INDIEN HET APPARAAT DOOR DE EINDGEBRUIKER OP ENIGERLEI WIJZE GEMODIFICEERD OF VERANDERD IS! OPEN NOOIT DE BEHUIZING. DE PRODUCENT AANVAART GEEN AANSPRAKELIJKHEID VOOR SCHADE EN/OF LETSEL VEROORZAAKT DOOR ONJUIST GEBRUIK. HET TYPEPLAATJE VINDT U OP DE ONDERZIJDE VAN HET APPARAAT.



De Bluetooth® markering en logo's zijn geregistreerde handelsmerken die eigendom zijn van Bluetooth SIG, Inc. en elk gebruik van deze markering en logo's is onder licentie.

BELANGRIJKE ALGEMENE VEILIGHEIDSINSTRUCTIES

1. Lees deze instructies.
2. Bewaar deze instructies goed.
3. Neem alle waarschuwingen in acht.
4. Volg alle aanwijzingen op.
5. Reinig het uitsluitend met een droge doek.
6. Blokkeer geen ventilatieopeningen en plaats het toestel volgens de instructies.
7. Plaats het niet in de buurt van warmtebronnen zoals verwarmingen, ventilatiekleppen, ovens en andere apparaten (incl. versterkers) die warmte afgeven.
8. Beschadig niet de ten behoeve van de veiligheid gepoolde of geaarde stekkers. Een gepoolde stekker bezit twee contacten, een is breder dan de andere. Een geaarde stekker bezit twee contacten en een derde pen voor de aarding. Het brede contact of de derde pin dienen voor uw veiligheid. Mocht de meegeleverde stekker niet in uw stopcontact passen, neem dan voor het vervangen van het verouderde stopcontact contact op met een elektricien.
9. Bescherm de stroomkabel, opdat hierop niet gelopen wordt en er geen beschadigingen of knikken optreden aan de stekker, aan het stopcontact of op de plek waar de stekker uit het toestel komt.
10. Gebruik uitsluitend de door de fabrikant aangegeven onderdelen/accessoires.
11. Gebruik het toestel uitsluitend met de door de fabrikant aangegeven of samen met het toestel gekochte wagentjes, standaard, driepoten, klemmen of tafel. Wanneer u een wagen gebruikt, wees dan voorzichtig bij het bewegen van de combinatie wagen/toestel om letsel door omvallen te vermijden.
12. Koppel het toestel van de stroomvoorziening af bij onweer of wanneer het langere tijd niet wordt gebruikt.
13. Laat iedere vorm van onderhoud door gekwalificeerd personeel verrichten. Een onderhoud is noodzakelijk wanneer het toestel aan de stroomkabel of stekker beschadigd werd, wanneer er vloeistof of voorwerpen in het toestel zijn binnengedrongen, wanneer het toestel aan regen of vochtigheid was blootgesteld en wanneer het niet normaal functioneert resp. gevallen is.
14. Stel het toestel noch aan regen noch aan vochtigheid bloot om het gevaar voor brand of het risico van een elektrische schok te reduceren.
15. Verwijder de afdekking niet. In het binnenste bevinden zich geen onderdelen waarvoor een onderhoud noodzakelijk is.
16. Geen voorwerpen op het apparaat plaatsen welke een bron zijn van open vlammen.
17. Gebruik bij het gebruik in de open lucht op regenachtige dagen of bij vochtig weer uitsluitend batterijen om een elektrische schok te vermijden. Om elektrische schok te voorkomen, als de radio blootgesteld is geweest aan regen of water, dienen zowel het snoer als de stekker volledig gedroogd te worden alvorens de stekker in het stopcontact wordt gestoken.
18. De netstekker moet dicht bij het toestel en steeds toegankelijk zijn, zodat in geval van nood (bijv. om het toestel van het stroomnet te scheiden) alleen de stekker uit het stopcontact moet worden getrokken.
19. De productinformatie is te vinden op de onderzijde van het toestel.
20. Dit apparaat is voorzien van bescherming tegen spattend water (IP65).
21. In geval van storing ten gevolge van Electro-statische ontlading of piekspanning, verwijder de stroombron en sluit deze daarna weer aan.
22. Het apparaat moet gebruikt worden in een gemiddeld klimaat.
23. Om mogelijke gehoorschade te voorkomen niet op een hoog volume gedurende een lange periode luisteren.
24. Een omgeving met lijnstoring / radiosensitiviteit kan bij de radio storingen veroorzaken. Dit zal automatisch weer normaliseren wanneer de lijnstoring / radiosensitiviteit is gestopt."



STROOMVOORZIENING

Gebruik op netstroom

1. Zorg ervoor dat de spanning correct is voordat u de stekker van het netsnoer in het stopcontact steekt.
2. De kabel- en stekker-opbergmogelijkheid, die zich aan de achterzijde van de radio bevindt, dient ervoor om de stroomkabel en de stekker op te bergen wanneer u de radio niet gebruikt of wanneer deze op de ingebouwde accu speelt.

Opmerking:

Om de **Teambox** volledig van het stroomnet af te koppelen moet de stekker volledig uit het stopcontact worden getrokken. De stekker en stroomkabel dienen daarvoor altijd bereikbaar te zijn met directe toegang.

In geval van storing door elektrostatische ontlading of piekspanning (burst), verwijderd u de stekker uit het stopcontact en sluit u de stekker na ongeveer een minuut weer aan.

Lithium batterij gebruiken en laden

Opmerking voor het eerste gebruik: voordat u de Teambox de eerste keer gebruikt, dient u de batterij volledig op te laden.

De **Teambox** kan worden gebruikt op de ingebouwde lithium batterij. Tijdens het gebruik van de ingebouwde batterij zal het geschatte energieniveau van de batterij worden weergegeven in het display van de radio.

Als het batterijniveau zeer laag is en/of het batterijsymbool knippert op het display, moet de ingebouwde batterij zo snel mogelijk worden opgeladen om de normale werking van de **Teambox** voort te zetten.

De laadtijd van een lege naar volledige batterij is ongeveer 5-6 uur (bij kamertemperatuur met de radio in de standby-modus). De **Teambox** kan worden opgeladen in de standby-modus en tijdens het gebruik. Tijdens het gebruik is de oplaadtijd langer dan in de standby-modus.

De Teambox zal, voor extra veiligheid, niet beginnen met opladen wanneer de batterij al vol is of bijna vol is.

Opmerking over de speelduur van de ingebouwde Lithium batterij: De te behalen speelduur op de ingebouwde Lithium batterij hangt af van vele factoren zoals: gekozen volumenummer, soort muziek (muziek met veel bas verbruikt meer stroom), gekozen muziekbron, gekozen EQ-instelling, omgevingstemperatuur en de leeftijd van de batterij. Afhankelijk van deze factoren is een speelduur te behalen van ongeveer 20 tot 26 uur op een gemiddeld volume.

OPMERKING OVER DE LEVENSDUUR VAN DE INGEBOUWDE LITHIUM BATTERIJ:
Wanneer u de Teambox langere tijd niet gebruikt, laad dan altijd eerst de ingebouwde Lithium batterij volledig op. De optimale levensduur van de batterij zal worden verkregen door het apparaat na elk gebruik steeds op te laden, ook als het apparaat slechts gedeeltelijk is ontladen. De levensduur van de batterij zal worden verkort indien het apparaat met een lege batterij gedurende langere tijd niet zal worden gebruikt.

WAARSCHUWING:

Probeer de ingebouwde Lithium batterij niet te vervangen. Wanneer u twijfelt aan de staat van de ingebouwde Lithium batterij, neemt u dan contact op met de serviceafdeling voor verdere assistentie.

WAARSCHUWING:

Er bestaat gevaar voor explosie, wanneer de ingebouwde Lithium batterij foutief wordt vervangen. Stel de ingebouwde Lithium batterij niet bloot aan een buitensporig grote hitte zoals bijv. fel zonlicht, vuur of iets dergelijks. De ingebouwde Lithium batterij mag niet door verbranding of via het normale huisvuil worden verwijderd. Wegwerpbatterijen dienen indien mogelijk bij een recyclingcentrum te worden afgegeven.



VEILIGHEIDSGEGEVINGEN VOOR DE INGEBOUWDE LITHIUM BATTERIJ

De ingebouwde, oplaadbare Lithium batterij van dit apparaat staat garant voor een langdurige stroomvoorziening. Zelfs Lithium batterijen kunnen echter een punt bereiken waar ze niet meer opnieuw kunnen worden opgeladen. Als de batterij ook na verschillende pogingen niet meer kan worden opgeladen, dan kan deze defect of leeg zijn. Neem in dit geval contact op met service@perfectpro.eu voor informatie over reparaties. Als u niet wilt dat wij de ingebouwde batterij vervangen, dan moet u gebruikte batterijen/apparaten afvoeren in overeenstemming met de wet- en regelgeving in uw regio. Daarnaast kunt u voor het afvoeren contact opnemen met lokale elektronica-winkels of recyclingcentra.

Voorzorgsmaatregelen gebruiker

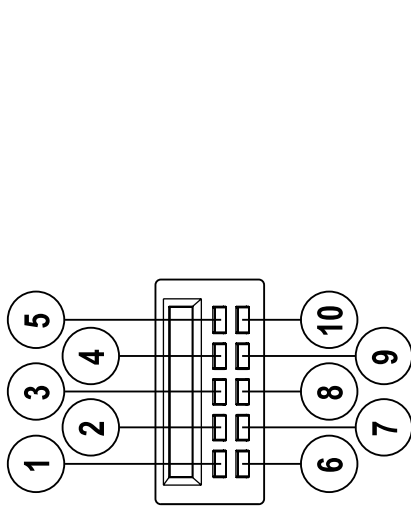
- Controleer of de kamertemperatuur tussen 0°C – 35° C (32° - 95° Fahrenheit) ligt voordat u de batterij oplaadt.
- Probeer de plastic behuizing of andere delen van het apparaat niet te demonteren, omdat de materialen binnen in het apparaat giftig kunnen zijn en mogelijk uw huid en kleren kunnen beschadigen.
- De batterij mag niet worden doorboord, geplet, aangepast, gegooid of worden blootgesteld aan onnodige schokken, omdat het verkeerd behandelen van de batterij in dit apparaat kan leiden tot een risico op brand, explosie en chemische brandwonden.
- De batterij niet achterlaten, opladen of gebruiken in een auto in direct zonlicht of in de buurt van vuur of een andere warmtebron.
- De batterij niet onderdempelen in, werpen in of bevochtigen met (zee) water.

- Gebruik of laad de batterij niet op als deze abnormaal warm lijkt te zijn, als de batterij verkleurd of vervormd is of als er abnormale omstandigheden worden geconstateerd tijdens het gebruik, het opladen of het opbergen.
- Laat een batterij die wordt opgeladen niet onbeheerd achter. Houd de batterij uit de buurt van baby's en kinderen.

HET APPARAAT VOOR DE EERSTE KEER GEBRUIKEN

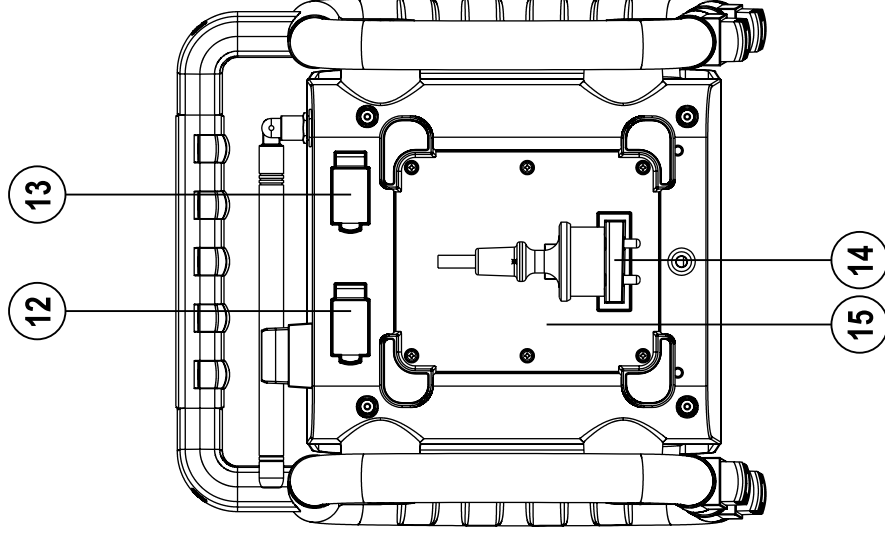
1. Plaats de radio op een vlakke ondergrond.
2. Zet de antenne, die zich bovenop de radio bevindt, rechtop.
3. Steek de stekker in het stopcontact. De radio zal vanzelf opstarten en automatisch het DAB- en FM-frequentiebereik scannen.
4. Als de scan is voltooid, worden de 10 sterkste FM-zenders opgeslagen in het voorkeuze-geheugen. De radio schakelt over naar stand-by met de bijgewerkte tijd en datum op het display.
5. Als er geen radiosignaal gevonden is, zal de klok niet bijgewerkt worden. Het kan nodig zijn om de radio te verplaatsen naar een positie voor een betere ontvangst.

BEDIENINGSELEMENTEN



1. Aan/uit knop
2. Audiobron knop
3. Select / Info knop
4. Tuning << knop
5. Tuning >> knop
6. Menu / Map knop
7. Voorkeuze / ▶ || knop
8. Equaliser knop
9. Volume – knop
10. Volume + knop
11. Antenne

BEDIENINGSELEMENTEN



12. USB aansluiting
13. Aux ingang
14. Stroomkabel
15. Batterij compartiment

De radio bedienen

1. Zet de antenne rechtop en druk op de **Aan/uit knop** om de radio in te schakelen.
 2. Als dit de eerste keer is, zal de radio in de DAB-modus staan.
 3. De eerste zender (in numerieke-alfa volgorde: 0... 9... A... Z) in de lijst met gevonden zenders zal worden afgespeeld. Het display zal de zendernaam weergegeven. Als de radio eerder is gebruikt, zal de laatste beluisterde zender afgespeeld worden.
 4. Als geen zendersignaal is gevonden zal "Geen zenders beschikbaar" worden weergegeven. Het kan dan nodig zijn om de radio te verplaatsen naar een andere positie met een betere radio-ontvangst. U kunt dan een nieuwe scan uitvoeren om zenders te zoeken. Zie verderop "**Het vinden van nieuwe zenders**".
- ### Een DAB-zender selecteren
1. Druk op de **Aan/uit knop** om de radio in te schakelen.
 2. Het display geeft de naam van de geselecteerde zender weer.
 3. Druk op de **Tuning << of Tuning >> knop** om door de lijst met beschikbare zenders te bladeren.
 4. Als de gewenste zendernaam op het display verschijnt, drukt u op de **Select / info knop**.

Opmerking: Als na het selecteren van een zender het display "Service not available" weergeeft, kan het noodzakelijk zijn om de radio naar een positie te verplaatsen die betere ontvangst geeft.

Secundaire diensten

1. Bepaalde zenders hebben een of meer secundaire diensten. Als een zender een secundaire dienst heeft, dan zal de secundaire dienst in de zenderlijst verschijnen onder de hoofdzender. Om naar een secundaire dienst te luisteren drukt u op de **Select / info knop** om de gewenste secundaire dienst te kiezen.
2. Druk op de **Select / info knop** om de secundaire dienst te selecteren. De meeste secundaire diensten worden niet voortdurend uitgezonden en als de geselecteerde dienst niet beschikbaar is, wordt de radio opnieuw afgestemd op de bijbehorende primaire service.

Weergavemodi

In de DAB-modus kan de radio een reeks informatie op het display weergegeven. Druk op de **Select / info knop** om door de verschillende opties te bladeren.

- a. Tekst
Toont tekstberichten, zoals de artiest- of tracknaam, telefoonnummer, verkeersberichten, etc.
- b. Programma type
Toont het soort zender waarnaar geluisterd wordt, zoals pop, klassiek, nieuws, etc.
- c. Signaalsterkte
Toont de signaalsterkte van de huidige zender. Het ongevuild blokje geeft het minimum signaalniveau aan dat nodig is voor een goede ontvangst.
- d. Multiplex & frequentie
Toont de naam van de DAB-multiplex waar de huidige zender toe behoort evenals de uitzendfrequentie.
- e. Bitrate & audiotype
Toont de digitale bitrate en audio codeer-informatie voor de huidige zender.
- f. Datum
Toont de huidige datum.

Het vinden van nieuwe zenders

Als u uw radio wilt gebruiken voor DAB-ontvangst op een nieuwe locatie, of als er geen zenders worden gevonden tijdens de initiële scan, dan kunt u deze procedure volgen om uw radio naar beschikbare DAB-zenders te laten scannen.

1. Druk op de **Audiobron knop** om naar de DAB-modus te gaan.
2. Druk op de **Menu / map knop**, op het display wordt "Full scan" weergegeven.
3. Druk op de **Select / info knop**, de radio voert een scan uit op de DAB Band III en de zenderteller zal worden opgehoogd als er nieuwe zenders worden gevonden.

Handmatig afstemmen

Handmatig afstemmen geeft u de mogelijkheid om direct zenders te kiezen in de DAB Band III.

1. Druk op de **Menu / map knop**, het display zal "Full scan" weergeven
2. Druk op de **Tuning << of Tuning >> knop** het display "Manual tune" weergeeft, druk dan op de **Select / info knop**.
3. Druk op de **Tuning << of Tuning >> knop** om de gewenste DAB-frequentie te zoeken. Druk op de **Select / info knop** om de gekozen frequentie af te stemmen.
4. De signaalsterkte balk geeft het ontvangst niveau van de zender aan. Het open blokje geeft het minimum signaal-niveau aan wat nodig is voor een goede ontvangst.
5. Als een DAB-signaal gevonden is, toont het display de signaalsterkte. Alle nieuw gevonden zenders zullen worden toegevoegd aan de zenderlijst.
6. Druk op de **Select / info knop** om terug te keren naar de normale weergave.

Dynamic Range Control (DRC) instellingen

Dynamic Range Control (ook bekend als DRC) kan zachte geluiden makkelijker hoorbaar maken, wanneer uw radio wordt gebruikt in een lawaaiige omgeving door het dynamisch bereik van het audiosignaal te verminderen.

1. Druk in de DAB-modus op de **Menu / map knop**, op het display wordt "Full scan" weergegeven.
 2. Druk op de **Tuning <<** of **Tuning >>** knop totdat op het display "DRC" wordt weergegeven. Druk op de **Select / info knop**.
 3. Druk op de **Tuning <<** of **Tuning >>** knop om de vereiste DRC-instelling te selecteren (standaard is OFF).
- DRC Off DRC is uitgeschakeld, uitgezonden DRC zal worden genegeerd.
DRC High DRC is ingesteld zoals verzonden door de uitzender.
DRC Low DRC niveau is ingesteld op ½ van datgene wat de uitzender verzendt.
4. Druk op de **Select / info knop** om de instelling te bevestigen. Het display gaat terug naar de normale weergave.

Opmerking: Niet alle DAB-uitzendingen maken gebruik van de DRC-functie. Als de uitzending geen ondersteuning biedt aan DRC, dan zal de DRC-instelling op de radio geen effect hebben.

Niet-beschikbare zenders verwijderen (snoeien)

Als u zich verplaatst naar een ander gebied of land kunnen bepaalde zenders niet meer beschikbaar zijn. Ook kunnen bepaalde zenders stoppen met uitzenden of van frequentie veranderen. Zenders die niet gevonden kunnen worden of die lang niet zijn ontvangen, worden in de zenderlijst gemarkeerd met een vraagteken.

1. Druk in de DAB-modus op de **Menu / map knop**, dan toont het display "Full scan".
2. Druk op de **Tuning <<** of **Tuning >>** knop totdat het display "Prune" toont.
3. Druk op de **Select / info knop**.
4. Druk op de **Tuning <<** of **Tuning >>** knop om te kiezen tussen "Yes" of "No" (standaard is No).
5. Selecteer "Yes" om deze functie in te schakelen indien nodig anders selecteer "No". Druk op de **Select / info knop** om uw instelling te bevestigen. Het display gaat terug naar het normale radio display.

Opmerking: Als u uw radio heeft verplaatst naar een ander gebied of land, dan moet u ook opnieuw naar zenders zoeken (zie de paragraaf 'Het vinden van nieuwe zenders')

FM RADIO MODUS

De radio bedienen

1. Druk op de **Aan/uit knop** om de radio in te schakelen.
2. Selecteer de FM-band door op de **Audiobron knop** te drukken.
3. Bij het eerste gebruik zal de zender van voorkeuze 1 worden afgespeeld. Als de radio eerder gebruikt werd dan speelt de laatst beluisterde zender af.
4. Om zenders te zoeken, drukt u op de **Tuning <<** of **Tuning >>** knop en houdt deze even ingedrukt. De radio zoekt en stopt onmiddellijk wanneer hij een zender met voldoende signaalsterkte vindt.
5. Na enkele seconden wordt de zendernaam bijgewerkt en weergegeven als RDS-informatie wordt ontvangen.
6. Om een volgende zender te zoeken, drukt u opnieuw op de **Tuning <<** of **Tuning >>** knop en houdt deze even ingedrukt.
7. Wanneer het einde van het frequentiebereik is bereikt, begint de radio opnieuw te zoeken vanaf het tegenovergestelde einde van het frequentiebereik.

Handmatig afstemmen

1. Druk op de **Aan/uit knop** om de radio in te schakelen.
2. Selecteer de FM-band door op de **Audiobron knop** te drukken.
3. Druk op de **Tuning <<** of **Tuning >>** knop voor het instellen van de gewenste FM-zender.
De radio zal de frequentie in stappen van 50 kHz veranderen.
4. Draai de rubberen antenne om de beste ontvangst te krijgen. Als er RDS-informatie beschikbaar is, dan zal het display na een aantal seconden de zendernaam weergeven.
5. Wanneer het einde van het frequentiebereik is bereikt, begint de radio opnieuw te zoeken vanaf het tegenovergestelde einde van het frequentiebereik.

RDS-informatie

RDS (Radio Data System) is een informatiesysteem dat behalve het normale FM-radioprogramma onhoorbare digitale informatie meezendt. Wanneer de radio een RDS-zender ontvangt en de ontvangst voldoende sterk is, verschijnt de naam van de zender in het display. Het kan even duren tot deze RDS-informatie beschikbaar is.

Weergavemodi

Wanneer u naar een FM-zender met RDS-systeem luistert, drukt u meermaals op de **Select / Info knop** om door de RDS-informatie te lopen. Dit functioneert alleen wanneer het niveau van de ontvangst voldoende sterk en helder is.

- Radio tekst. (RT) Toont tekstberichten, zoals de artiest- of tracknaam, telefoonnummer, verkeersberichten, etc.
- Programma type (PTY) Toont het soort zender waarnaar geluisterd wordt, zoals pop, klassiek, nieuws, etc.
- Signaal sterkte Toont de sterkte van het signaal van de huidige zender.
- Frequentie Toont de frequentie van de huidige zender.
- Datum Toont de huidige datum.

Scan gevoeligheid instelling - FM

De radio scant normaal alle FM-zenders inclusief diegene met een zwakker signaal. U kunt de scan functie echter ook instellen dat deze alleen de zenders met een sterk signaal voor een goede ontvangst vindt.

- Druk op de **Aan/uit knop** om de radio in te schakelen.
- Selecteer de FM-band door op de **Audiobron knop** te drukken.
- Druk op de **Menu / map knop**, in het display wordt "Scan setting" weergegeven.
- Druk op de **Select / info knop**.
- Druk op de **Tuning << of Tuning >> knop** om te kiezen uit "All stations" of "Strong stations only" (standaard is "Strong stations only").
- Druk op de **Select / info knop** om uw instelling te bevestigen. Het display gaat terug naar het normale radio display.

VOORKEURZENDERS

Voorkeuzers opslaan

Deze radio beschikt over 20 geheugenplaatsen, 10 voor DAB en 10 voor FM. De voorkeuzers worden opgeslagen in de radio als de stroombron onderbroken wordt.

- Druk op de **Aan/uit knop** om de radio in te schakelen.
- Druk op de **Audiobron knop** om de gewenste band te selecteren (FM of DAB).
- Stel de gewenste zender in.
- Houd de **Preset knop** ingedrukt tot het display bijvoorbeeld "Preset 01: Empty" toont.
- Druk op de **Tuning << of Tuning >> knop** om de gewenste plaats te kiezen. Druk daarna op de **Select / Info knop** om te bevestigen. Op het scherm wordt nu bijvoorbeeld "Preset 01 Stored" getoond.
- Herhaal stap 3 tot en met 5 voor de overige voorkeuzers.

- In het geheugen opgeslagen voorkeuzers kunnen op de bovenstaande wijze weer worden overschreven.

Voorkeuzers oproepen

- Druk op de **Aan/uit knop** om de radio in te schakelen.
- Druk op de **Audiobron knop** om de gewenste band te selecteren (FM of DAB).
- Druk op de **Preset knop**. Op het display wordt bijvoorbeeld "Preset 01: 88.10MHz" weergegeven.
- Druk op de **Tuning << of Tuning >> knop** om de gewenste voorkeuzer te kiezen. Druk daarna op de **Select / Info knop** om te bevestigen.
- Op het scherm wordt nu bijvoorbeeld "P1" getoond aan het einde van de eerste regel.

BLUETOOTH

In de Bluetooth modus op uw **Teambox** kunt u de audio, audio van video en streaming muziek afspelen vanaf een Bluetooth geschikt apparaat zoals een mobiele telefoon, computer, tablet, etc. via de speakers van uw radio.

- Wanneer een Bluetooth geschikt apparaat zoals uw **Teambox** in de 'discoverable' modus staat, kunnen andere apparaten deze zien en verbinden.
- 'Bluetooth pairing' komt tot stand wanneer twee apparaten de benodigde informatie met elkaar hebben uitgewisseld.

De kwaliteit van de Bluetooth verbinding is afhankelijk van de verbonden Bluetooth apparaten. Controleer de Bluetooth mogelijkheden van het apparaat voordat u verbinding maakt met de **Teambox**. Niet alle opties zijn op alle gekoppelde apparaten beschikbaar.

Een Bluetooth verbinding werkt tot een afstand van ongeveer 10 meter. Wanneer twee apparaten moeten verbinden is een afstand van 2 tot 3 meter het beste. De aanwezigheid van andere Bluetooth apparaten kan de verbinding storen.

Bluetooth is een korte-golf radioverbinding systeem en is ontworpen om te communiceren in normale formaat kamers en kantoren. De werking van Bluetooth tussen verschillende kamers is zeer sterk afhankelijk van de constructie van het gebouw.

De verbinding van Bluetooth kan sterk worden beïnvloed wanneer het signaal door massieve objecten heen moet. Personen, stenen en betonnen muren, grote meubelstukken of boekenkasten zullen de Bluetooth verbinding in meer of mindere mate beïnvloeden. Glas, dunne wanden en hout hebben minder invloed maar kan wel merkbaar zijn. Metalen pijpen, metalen frames en huis-bekabeling heeft ook een negatief effect op de kwaliteit van de verbinding. Wanneer u een slechtere verbinding ervaart, kunt u het beste de Bluetooth apparaten iets dichter bij elkaar plaatsen.

WiFi-netwerken en mobiele telefoonnetwerken gebruiken golven die overeenkomen met Bluetooth. Deze kunnen elkaar negatief beïnvloeden. Indien u dit merkt dient u de apparaten opnieuw te positioneren.

Bluetooth stelt uw **Teambox** in staat om audio te ontvangen van een grote

verscheidenheid aan mobiele telefoons, computers en tablets. U kunt slechts met 1 apparaat verbinding maken op hetzelfde moment. Uw radio ondersteunt de volgende Bluetooth profielen en functies:

- Uw **Teambox** ondersteunt A2DP (Advanced Audio Distribution profile) welke audio in stereo streamt naar uw radio vanaf andere Bluetooth apparaten. SBC en AAC-audio codecs worden ondersteunt.
- Uw **Teambox** ondersteunt AVRCP (Audio Video Remote Control Profile) waardoor u via uw radio de afspeler kunt bedienen.

Opmerking: Sommige mobiele telefoons verbreken tijdelijk de verbinding met uw radio wanneer er een telefoongesprek wordt gestart of ontvangen. Sommige apparaten dempen ook het geluid van de Bluetooth audio stream wanneer er een sms, e-mail of ander bericht wordt ontvangen. Dit duidt niet op een probleem met uw radio.

Bluetooth koppelen met uw mobiele telefoon

1. Druk op de **Aan/uit knop** om de radio in te schakelen.
2. Selecteer Bluetooth-modus door op de **Audiobron knop** te drukken.
3. Het display toont "Connecting" wanneer de radio nog niet is gekoppeld aan uw mobiele telefoon. Daarnaast gaat ook op het scherm het Bluetooth logo knipperen.
4. Open op uw mobiele telefoon het Bluetooth menu en zoek naar het apparaat "**Teambox**" (Bluetooth-koppeling instructies kunnen per type mobiele telefoon anders zijn, raadpleeg u de handleiding van uw mobiele telefoon).
5. Wanneer de Bluetooth koppeling succesvol is, zal het display de naam van de verbonden mobiele telefoon weergeven en het Bluetooth logo zal getoond worden.
6. Hierna geeft het display de naam van de aangesloten mobiele telefoon weer.

Muziek afspelen vanaf uw mobiele telefoon

1. Druk op de **Aan/uit knop** om de radio in te schakelen.
2. Selecteer Bluetooth-modus door op de **Audiobron knop** te drukken.
3. Start het afspelen van muziek met behulp van de mediaspeler op de gekoppelde mobiele telefoon.
4. De weergave kan worden bediend vanaf de mobiele telefoon of door op de **Preset / ▶ ||, Tuning <<**, en **Tuning >> knoppen** op de radio te drukken.
5. Nadat het afspelen van muziek is gestart, wordt de naam van het nummer weergegeven op het display.

Weergavemodi

In de Bluetooth-modus kan de radio een reeks informatie op het display weergeven. Druk op de **Select / Info knop** om door de verschillende opties te bladeren.

- a. Titel Toont de naam van de artiest van de huidige track.
- b. Artiest Toont de naam van de artiest van de huidige track.
- c. Album Toont de naam van het album waarvan het huidige nummer afkomstig is.
- d. Tijd en datum Toont de huidige tijd en datum.

Device List – Afspelen vanaf een apparaat waarmee eerder is gekoppeld

Op de radio kunt u in de apparatenlijst een apparaat selecteren om opnieuw mee te verbinden.

De namen van de gekoppelde apparaten worden weergegeven wanneer deze op het apparaat zijn ingesteld. Raadpleeg hiervoor de handleiding van uw mobiele apparaat.

U raadpleegt de apparaten lijst als volgt:

1. Druk in de Bluetooth-modus op de **Menu / map knop**.
2. Druk op de **Tuning << of Tuning >> knop** tot "Device list" wordt weergegeven;
3. Druk op de **Select / info knop** om de instelling te selecteren.
4. Druk op de **Tuning << of Tuning >> knop** om de gekoppelde apparaten weer te geven.
4. Druk op de **Select / info knop** om de Bluetooth-verbinding te starten. De **Teambox** zal automatisch verbinding maken met het gekozen apparaat.

Opmerking: De **Teambox** kan tot 8 apparaten onthouden waarmee eerder is gekoppeld. Als er met meer dan 8 apparaten zijn gekoppeld, dan zal het apparaat waarmee het langst niet is gekoppeld worden gewist uit het geheugen.

Opmerking: Wanneer u "**Teambox**" uit uw lijst van gekoppelde apparaten op uw mobiele telefoon heeft verwijderd, zult u niet automatisch opnieuw kunnen verbinden.

Bluetooth koppelen opnieuw starten

De Bluetooth functie kan op verschillende manieren ingesteld worden:

1. Druk in de Bluetooth-modus op de **Menu / map knop** om het menu te openen. Op het scherm wordt nu "Discoverable" getoond, druk op de **Select / info knop** om Bluetooth beschikbaar te maken.
2. Het display toont "Connecting", het Bluetooth logo knippert en de radio is gereed voor het maken van een nieuwe Bluetooth verbinding.

Opmerking: "Discoverable" is de optie om de Bluetooth verbinding met uw mobiele telefoon direct te verbreken. De radio zoekt nu naar een nieuw apparaat om verbinding mee te maken. Indien er geen nieuwe verbinding tot stand wordt gebracht zal de radio

automatisch proberen te verbinden met het laatste apparaat, wanneer de radio uit en terug aan wordt geschakeld.

De Auto-Power managementfunctie wordt geactiveerd in Bluetooth modus. Als er gedurende een periode van meer dan 15 minuten, geen of zwak signaal binnenkomt, dan zal de radio automatisch overschakelen naar stand-by modus. Als u op de **Aan/uit knop** drukt zal de radio terug aan gaan.

USB MODUS

GEbruik DE USB-INGANG NOOIT IN REGENACHTIGE OF VOCHTIGE OMSTANDIGHEDEN OM TE VOORKOMEN DAT VOCHT IN DE RADIO BINNENKOMT EN OM ZO MOGELIJKE KORTSLUITING TE VOORKOMEN. HOUD ALTIJD DE RUBBEREN AFDICHTING GOED AFGESLOTEN IN DEZE ONSTANDIGHEDEN.

USB-geheugen apparaten kunnen worden gebruikt met de radio voor het afspelen van MP3, AAC, FLAC en WAV-bestanden.

De radio is getest met een reeks van USB-sticks tot 32GB. Er zijn echter vele verschillende varianten USB-sticks en er kan niet worden gegarandeerd dat alle apparaten werken met deze radio. Een USB-stick moet gebruik maken van het FAT16 of FAT32 bestandssysteem om te kunnen werken met deze radio.

Audioformaten welke worden ondersteund zijn MP3, AAC, FLAC en WAV. Het afspelen van bestanden met codering of bestanden van elk formaat met DRM-beveiliging is niet mogelijk.

De USB-aansluiting zit aan de achterkant van de radio achter de rubberen bedekking. Zorg ervoor dat de rubberen bedekking goed is afgesloten om te voorkomen dat er vocht en stof in de radio kunnen komen. De USB-stick niet verwijderen tijdens het afspelen. Dit kan schade veroorzaken aan de USB-stick of de bestanden onleesbaar maken.

USB-stick is niet meegeleverd met de radio.

Opmerking: Wanneer de radio afspeelt vanaf een USB-stick, zal vanwege het extra stroomverbruik wat hiermee gepaard gaat, de laadfunctie worden uitgeschakeld. Wanneer de USB-stick is verwijderd, zal de radio weer normaal laden.

Een USB-stick aansluiten en verwijderen

Sluit voorzichtig een USB-stick aan op de USB-aansluiting.
Om de USB-stick te verwijderen trekt u voorzichtig aan de USB-stick.

Muziekbestanden afspelen

1. Druk op de **Aan/uit knop** om de radio in te schakelen.
2. Druk op de **Audiobron knop** om de USB-modus te selecteren. Het display toont "Reading ". Het neemt enige tijd in beslag voor alle mappen en bestanden van het geheugen apparaat zijn gelezen.
3. Na het lezen van de USB-stick, zal de radio beginnen te spelen met het eerste bestand in de eerste map. Als er geen USB-stick is geplaatst, wordt in het display "NO USB STICK" weergegeven.
4. Om het afspelen te onderbreken drukt u op de **Preset / ►|| Knop**. Druk nogmaals op de **Preset / ►|| knop** om het afspelen weer te hervatten.
5. Om naar het volgende bestand te gaan, drukt u op de **Tuning >> knop**.
6. Om naar het vorige bestand te gaan, drukt u op de **Tuning << knop**.
7. Om binnen het bestand vooruit of achteruit te spelen, houdt u de **Tuning >>** of **Tuning << knop** ingedrukt tot de gewenste positie is bereikt.
8. Om naar een andere map te gaan, hou de **Menu / map knop** 2 seconden ingedrukt. Druk daarna op **Tuning >>** of **Tuning << knop** om door de mappen te bladeren.
9. Druk op de **Select / info knop** om uw keuze te bevestigen.

De radio ondersteunt een beperkt aantal mappen en bestanden in de zoekfunctie:

Modus	Max. aantal mappen	Max. aantal bestanden
Stop	999 (met mapnaam)	9999 (met bestandsnaam)
Afspelen	999 (1-99 met mapnaam) (100-999 zonder mapnaam)	9999 (1-999 met bestandsnaam) (1000-9999 zonder bestandsnaam)

Afspeelmodus

Tijdens het afspelen van een USB-stick

1. Druk op de **Menu / map knop**.
2. Druk op de **Tuning >>** of **Tuning << knop** tot "USB setting" is geselecteerd. Druk op de **Select / info knop**.
3. Druk op de **Tuning >>** of **Tuning << knop** om de gewenste afspeelmodus te selecteren en druk op de **Select / info knop** om te bevestigen.

De radio heeft de volgende opties:

Normal play → Repeat track → Repeat folder → Repeat all → Shuffle

Normal play
Repeat track
Repeat folder
Repeat all
Shuffle

Herhaalt het bestand waar u naar luistert.
Herhaalt de bestanden in de map waar u naar luistert.
Herhaal alle bestanden op de USB-stick.
Speel alle bestanden uit alle mappen af in willekeurige volgorde.

De geselecteerde afspeelmodus wordt rechtsboven in het display weergegeven middels een icoon. Er wordt geen icoon weergegeven wanneer de normale afspeelmodus is geselecteerd.

Infunctie

Druk tijdens het afspelen van een USB-stick op de **Select / info knop** om door de volgende weergavemodi te bladeren: (enkel wanneer de informatie beschikbaar is in de betreffende bestanden)

Speeltijd → Naam artiest → Album naam → Bitrate van de muziek → Bestandsnaam → Speeltijd

AUX IN MODUS

Achter de rubberen afdekking bevindt zich een 3,5mm stereo Aux in ingang voor het aansluiten van een extern audioapparaat zoals bijvoorbeeld een MP3-speler of een Cd-speler (niet meegeleverd).

1. Verbind een audiobron met de **Aux in ingang**.
2. Druk op de **Audiobron knop** om Aux In te kiezen. Het display geeft "AUX In" aan.
3. Speel de externe speler af.
4. Stel het volume van zowel de radio als de speler in op het gewenste luisterniveau.
5. Zorg ervoor dat de rubberen afdekking na het gebruik weer goed wordt gesloten, zodat er geen vocht of vuil in de radio kan binnendringen.

Opmerking: Gebruik de Aux in ingang nooit in de regen of in een vochtige omgeving om te voorkomen dat er vocht binnendringt in de radio! Houd de rubberen afdekking altijd gesloten in deze omstandigheden.

De Auto-Power managementfunctie wordt geactiveerd in de AUX IN modus. Als er gedurende 15 minuten geen of zwak signaal ontvangen wordt door de Aux in ingang dan schakelt de radio vanzelf naar de standby-stand. Het apparaat kan weer aangezet worden door op de **Aan/uit knop** te drukken.

DE KLOK INSTELLEN

De klok kan worden ingesteld in het menu. Wanneer er gedurende 30 seconden lang geen knopen worden ingedrukt verlaat de radio de instellingsmodus van de klok en de instelling wordt gewist.

1. Druk op de **Aan/uit knop** om de radio te inschakelen.
2. Druk op de **Menu / map knop**.
3. Druk op de **Tuning >>** of **Tuning <<** knop om "System settings" te selecteren en druk op de **Select / info knop**.

4. Druk op de **Tuning >>** of **Tuning <<** knop om "Time/Date" te selecteren en druk op de **Select / info knop** om te bevestigen.
5. Selecteer "Set Time/Date" en druk op de **Select / info knop**.
6. De dag knippert op het display.
7. Druk op de **Tuning >>** of **Tuning <<** knop om de huidige dag in te stellen.
8. Druk op de **Select / info knop** om te bevestigen, de maand knippert.
9. Druk op de **Tuning >>** of **Tuning <<** knop om de huidige maand in te stellen.
10. Druk op de **Select / info knop** om te bevestigen, het jaartal knippert.
11. Druk op de **Tuning >>** of **Tuning <<** knop om het huidige jaar in te stellen, druk op de **Select / info knop** om te bevestigen, het uur knippert.
12. Druk op de **Tuning >>** of **Tuning <<** knop om het uur in te stellen.
13. Druk op de **Select / info knop** om te bevestigen, de minuten knipperen.
14. Druk op de **Tuning >>** of **Tuning <<** knop om de minuten in te stellen.
15. Druk op de **Select / info knop** om de klokinstelling te bevestigen en te voltooiën.

Automatische update

De radio kan tijd informatie van het DAB- of FM-signaal synchroniseren.

1. Druk op de **Aan/uit knop** om de radio in te schakelen.
2. Druk op de **Menu / map knop**.
3. Druk op de **Tuning >>** of **Tuning <<** knop om "System settings" te selecteren en druk op de **Select / info knop** om het menu te openen.
4. Druk op de **Tuning >>** of **Tuning <<** knop om "Time/Date" te selecteren en druk op de **Select / info knop**.
5. Druk op de **Tuning >>** of **Tuning <<** knop om "Time auto update" te selecteren en druk op de **Select / info knop**.
6. Druk op de **Tuning >>** of **Tuning <<** knop om te kiezen uit:

"Any"

De datum en tijd worden van de huidige DAB- of FM-zender gesynchroniseerd.

"DAB"

De datum en tijd wordt gesynchroniseerd vanaf de huidige DAB-zender.

"FM"

De datum en tijd wordt gesynchroniseerd vanaf de huidige FM-zender.

"No update" De radio voert geen synchronisatie uit van de datum/tijd.

7. Druk nogmaals op de **Select / info knop** om de instelling te bevestigen en te voltooiën.

Opmerking: Bij een voldoende signaal en bij de keuze voor "Update from DAB" of "Update from FM" optie, wordt de tijd automatisch bijgewerkt. Tijdsynchronisatie kan enkele minuten duren.

EQUALIZER

Het geluid van de **Teambox** kan worden aangepast aan uw persoonlijke smaak.

1. Druk op de **Aan/uit knop** om de radio in te schakelen.
2. Druk op de **EQ knop**.
3. Druk op de **Tuning >>** of **Tuning <<** knop om te kiezen uit:
Neutral → Rock → Indoor → Jazz → Outdoor
4. Druk nogmaals op de **Select / info knop** om de instelling te bevestigen en te voltooiën.

TAAL

Het bedieningsmenu kan worden ingesteld op diverse talen.

1. Druk op de **Aan/uit knop** om de radio in te schakelen.
2. Druk op de **Menu / map knop** en druk op de **Tuning >>** of **Tuning <<** knop tot "System settings" is geselecteerd.
3. Druk op de **Select / info knop**; druk op de **Tuning >>** of **Tuning <<** knop tot "Language" is geselecteerd.
4. Druk op de **Select / info knop**.
5. Druk op de **Tuning >>** of **Tuning <<** knop tot de gewenste taal op het display verschijnt (standaard is Engels).
6. Druk op de **Select / info knop** om uw keuze te bevestigen. Het display zal veranderen in de gekozen taal.

SOFTWARE-UPDATE

Van tijd tot tijd, kunnen nieuwe softwarefuncties voor uw radio worden ontwikkeld. De **Teambox** is daarom ontworpen om de interne software te kunnen bijwerken via een USB-aansluiting.

Start geen update, tenzij het wordt aanbevolen door de Perfectpro klantenservice. Het updaten van de software zal alle radiozenders en instellingen verwijderen.

SOFTWARE VERSIE

De weergave van de software kan niet worden aangepast en is alleen voor uw informatie.

1. Druk op de **Aan/uit knop** om de radio in te schakelen.
2. Druk op de **Menu / map knop** en druk op de **Tuning >>** of **Tuning <<** knop tot op het display "System settings" is geselecteerd.
3. Druk op de **Select / info knop**; Druk op de **Tuning >>** of **Tuning <<** knop tot het display "SW version" toont.
4. Druk op de **Select / info knop** om de softwareversie te bekijken.

SYSTEM RESET

Als de radio niet correct functioneert of b.v. de weergave in het display ontbreekt, geheel of gedeeltelijk, voer dan de volgende procedure uit.

1. Druk op de **Aan/uit knop** om de radio in te schakelen.
2. Druk op de **Menu / map knop**.
3. Druk op de **Tuning >>** of **Tuning <<** knop tot op het display "System settings" geselecteerd is. Druk op de **Select / info knop**.
4. Druk op de **Tuning >>** of **Tuning <<** knop tot op het display "Factory Reset" geselecteerd is. Druk op de **Select / info knop**.
5. Druk op de **Tuning >>** of **Tuning <<** knop om te kiezen tussen "Yes" of "No". Selecteer "Yes" om de radio te resetten, anders selecteer "No".
6. Druk op de **Select / info knop** om de om de instelling te bevestigen.
7. Een volledige reset zal worden uitgevoerd. Alle voorkeuzes en de zenderlijst zullen gewist worden. Alle instellingen worden ingesteld op de standaardwaarden. De radio zal automatisch een scan van de DAB band III en de FM-band uitvoeren.

In geval van storing ten gevolge van elektrostatische ontlading, reset de radio zoals hierboven beschreven. Als dat niet werkt verwijder de stekker uit het stopcontact en sluit deze daarna weer aan.

DISPLAY VERLICHTING

Display verlichting instellen

1. Druk op de **Aan/uit knop** om de radio in te schakelen.
2. Druk op de **Menu / map knop** en druk op de **Tuning >>** of **Tuning <<** knop tot op het display "System settings" is geselecteerd.
3. Druk op de **Select / info knop**; Druk op de **Tuning >>** of **Tuning <<** knop tot op het display "Backlight" is geselecteerd.
4. Druk op de **Select / info knop** om het Display verlichting-menu te openen.
5. Druk op de **Tuning >>** of **Tuning <<** knop "Radio on" te selecteren voor het instellen van de display verlichting wanneer de radio in gebruik is;
6. Of druk op de **Tuning >>** of **Tuning <<** knop "Radio standby" te selecteren, om het gedrag van de display verlichting in de radio standby-modus in te stellen.
7. Druk op de **Select / info knop** om uw keuze te bevestigen.
8. Druk op de **Tuning >>** of **Tuning <<** knop om een de opties te kiezen, t.w.: high/medium/low/off.
9. Druk op de **Select / info knop** om de selectie te bevestigen.

METALLEN TELESCOPISCHE ANTENNE

U kan deze additionele antenne gebruiken op locaties waar het radiosignaal (FM/DAB/DAB+) zwak tot zeer zwak is.

OPGELET: De standaard geplaatste antenne op de radio is flexibel. Deze metalen telescoop antenne is NIET buigbaar en dient voorzichtig te worden gebruikt. Het breken of buigen van de antenne valt niet onder de garantie.

Plaatsing: schroef de standaard flexibele antenne eraf. Deze eerst **voorzichtig los maken** met een steeksleutel (maat 14) – draairichting “tegen de klok in”.

Schroef de metalen telescopische antenne er voorzichtig op en **zet hem zachtjes vast** met een steeksleutel (maat 14) – draairichting “met de klok mee”.

LET OP: de antennes niet overmatig vastzetten met de steeksleutel om te voorkomen dat Schroefdraad van de antennes afbreekt of beschadigd.

GARANTIE

Deze radio heeft 2 jaar beperkte garantie.

WAARSCHUWING DE GARANTIE VERVALT INDIEN DE BEHUIZING VAN HET APPARAAT GEOPEND IS OF INDIEN HET APPARAAT DOOR DE EINDGEBRUIKER OP ENIGERLEI WIJZE GEMODIFICEERD OF VERANDERD IS.

De voorwaarden van de garantie van deze radio dekken niet de volgende zaken:

- Schade, beschadigingen en breuk veroorzaakt door verkeerd gebruik, misbruik, verwaarlozing, wijzigingen, ongevallen of ongeautoriseerde reparaties.
- Normale gebruikslijtage.
- Breken of buigen van de metalen telescopische antenne.

OPEN NOOIT DE BEHUIZING. DE PRODUCENT AANVAART GEEN AANSPRAKELIJKHEID VOOR SCHADE EN/OF LETSEL VEROOORZAAKT DOOR ONJUIST GEBRUIK. HET TYPEPLAATJE VINDT U OP DE ACHTERZIJDE VAN HET APPARAAT.

SPECIFICATIES

Stroombron

Netstroom: 230 V ~ 50/60hz
Ingebouwde lithium-polymeer batterij: 11.1 v, 4000mAh

Frequentiebereik

DAB 174.928 – 239.200 MHz
FM 87,5 – 108 MHz

Circuit functies

USB-aansluiting:
5V 1A voor het opladen van mobiele telefoons via een geautoriseerde USB-kabel
Ø5 inch + Ø1 inch
25 watt
3,5 mm Stereo
DAB-antenne
FM-antenne

Speaker:

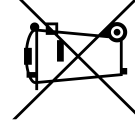
Uitgangsvermogen:
Aux-in aansluiting:
Antennesysteem:

Bluetooth

Versie 4.1 Ondersteunt Bluetooth profielen A2DP en AVRCP.

Het bedrijf behoudt zich het recht voor om de specificaties zonder voorafgaande kennisgeving te wijzigen.

Opmerking over milieubescherming



Dit product is gemaakt van hoogwaardige onderdelen en materialen, die kunnen worden hergebruikt en gerecycled. Gooi het product aan het einde van zijn levensduur dus niet weg met het normale huisvuil. Breng het naar een inzamelingspunt voor het recycleren van elektrische en elektronische apparaten. Dit is aangegeven door dit symbool op het product, in de handleiding en op de verpakking.
Raadpleeg uw gemeente voor meer informatie over inzamelingspunten. Help het milieu te beschermen door het recycleren van gebruikte producten.



Dit apparaat is ontstoord volgens de geldende EU-richtlijnen.
Dit product voldoet aan de Europese richtlijnen 2005/32/EC en 2014/53/EU.
Dit apparaat voldoet aan de veiligheidsregelgeving DIN EN 60065 (VDE 0860) en dus de internationale veiligheidsregelgeving IEC 60065.

Nooit de behuizing van het apparaat openen. De fabrikant aanvaardt geen aansprakelijkheid voor schade die voortkomt uit onjuist gebruik.
Het typeplaatje bevindt zich op de onderkant van het apparaat.



INHALTSVERZEICHNIS

Aux-in Modus	19
Uhrzeit manuell einstellen	20
Automatische Aktualisierung der Uhrzeit	20
Equaliser	21
Spracheinstellungen	21
Softwareupdate	22
Software-Version	22
Systemrückstellung	22
Hintergrundbeleuchtung	23
Zusätzliche Teleskopantenne	23
Garantie	24
Technische Daten	24
Stromversorgung	24
Frequenzbereich	24
Kreislauf	24
Bluetooth	24
Umweltgerechte Entsorgung	25

Wichtige Sicherheitshinweise	3
Stromversorgung	4
Netzbetrieb	4
Lithium-Batterie verwenden und aufladen	4
Sicherheitsvorkehrungen für den Gebrauch	5
Erstmaliger Gebrauch des Radios	6
Tastenübersicht	7
DAB+ Digital Radio Modus	9
Radiobetrieb	9
Sender einstellen	9
Zusatzdienste	9
Anzeigeoptionen	10
Neue Sender auffinden	10
Manuelle Sendersuche	10
Dynamikbereich-Einstellungen (DRC)	11
Sender löschen	11
UKW Radio Modus	12
Radio betrieb	12
Manuelle Sendersuche	12
RDS	12
RDS-Daten aufrufen	13
Empfindlichkeit der Sendersuche	13
Senderspeicher	13
Sender im DAB- oder UKW Modus speichern	13
Sender im DAB- oder UKW Modus aufrufen	14
Bluetooth	14
Bluetooth mit einem Handy koppeln	15
Musik von Ihrem Handy abspielen	16
Anzeigeoptionen	16
Geräteleiste – Früher verbundene Geräte erneut verbinden	16
Neustart der Bluetooth-Kopplung	17
USB Modus	17
Einsetzen und Entfernen eines USB-Speichergeräts	18
Wiedergabe	18
Wiedergabesteuerung	19
Anzeigeoptionen	19



WARNUNG!
DIE GARANTIE ERLISCHT, FALLS DAS GEHÄUSE DES GERÄTS GEÖFFNET ODER DAS URSPRÜNGLICHE GERÄT MODIFIZIERT BZW. VERÄNDERT WIRD. NIEMALS DAS GEHÄUSE DES GERÄTS ÖFFNEN. DER HERSTELLER HAFTET NICHT FÜR SCHÄDEN AUFGRUND UNSACHGEMÄSSER VERWENDUNG. DAS TYPENSCHILD BEFINDET SICH AN DER RÜCKSEITE DES GERÄTS.



Die Bluetooth® Wortmarke und die Logos sind eingetragene Handelszeichen von Bluetooth SIG, Inc. und werden unter Lizenz verwendet.

WICHTIGE SICHERHEITSHINWEISE

1. Lesen Sie diese Hinweise.
2. Bewahren Sie diese Hinweise auf.
3. Beachten Sie alle Warnungen.
4. Befolgen Sie alle Anweisungen..
5. Reinigen Sie es nur mit einem trockenen Tuch.
6. Blockieren Sie keine der Belüftungsöffnungen. Stellen Sie es gemäß der Anweisungen auf.
7. Stellen Sie es nicht in der Nähe von Wärmequellen wie Heizkörpern, Lüftungsklappen, Ofen oder anderen Geräten (einschließlich Verstärkern) auf, die Wärme abgeben.
8. Beschädigen Sie nicht den aus Sicherheitsgründen gepolten oder geerdeten Stecker. Ein gepolter Stecker besitzt zwei Kontakte, einer breiter als der andere. Ein geerdeter Stecker besitzt zwei Kontakte und einen dritten Erdungsstift. Der breite Kontakt oder der dritte Stift dienen Ihrer Sicherheit. Wenn der mitgelieferte Stecker nicht in Ihre Steckdose paßt, so wenden Sie sich bitte zum Austausch der veralteten Steckdose an einen Elektriker.
9. Schützen Sie das Stromkabel, damit hierauf nicht gelaufen oder es insbesondere am Stecker, an der Steckdose oder an der Stelle, wo es aus dem Gerät austritt, nicht geknickt wird.
10. Verwenden Sie ausschließlich vom Hersteller angegebene Anbauteile/Zubehör.
11. Verwenden Sie es ausschließlich mit der/dem vom Hersteller angegebenen oder mit dem Gerät verkauften Wagen, Ständer, Dreibein, Klammer oder Tisch. Wenn ein Wagen verwendet wird, so lassen Sie Vorsicht walten beim Bewegen der Kombination aus Wagen und Gerät, um Verletzungen durch Kippen zu vermeiden.
12. Trennen Sie das Gerät bei Gewitter oder wenn es über einen längeren Zeitraum nicht verwendet wird vom Netz.
13. Überlassen Sie jegliche Wartung qualifiziertem Wartungspersonal. Eine Wartung ist erforderlich, wenn das Gerät am Stromkabel oder Stecker beschädigt wurde, wenn Flüssigkeit verschüttet wurde oder Gegenstände ins Gerät gefallen sind, wenn das Gerät Regen oder Feuchtigkeit ausgesetzt war, nicht normal funktioniert oder fallengelassen wurde.
14. Setzen Sie das Gerät weder Regen noch Feuchtigkeit aus, um die Brandgefahr oder das Risiko einen elektrischen Schlages zu reduzieren.
15. Entfernen Sie nicht die Abdeckung. Im Innenbereich befinden sich keine Teile, die durch den Nutzer zu warten wären.
16. Es dürfen keine offene Feuerquellen auf dem Apparat abgestellt werden.
17. Verwenden Sie bei der Benutzung im Freien an Regentagen oder bei feuchtem Wetter zur Vermeidung eines elektrischen Schlages ausschließlich Batterien. Wenn das Radio Regen oder Feuchtigkeit ausgesetzt war, so müssen Anschlusskabel und Stecker zur Vermeidung eines elektrischen Schlages vollständig getrocknet werden, bevor dieses mit einer Steckdose verbunden wird.
18. Der Netzstecker sollte nahe am Gerät und leicht zugänglich sein, damit im Notfall zur Trennung vom Netz lediglich der Netzstecker aus der Steckdose gezogen werden muss.
19. Das Typenschild befindet sich an der Rückseite des Geräts.
20. Dieses Apparat ist gegen Spritzwasser geschützt (IP65).
21. Falls das Gerät aufgrund elektrostatischer Entladung oder schneller Stoßspannung nicht mehr richtig funktioniert, ziehen Sie den Netzstecker und schließen das Gerät dann erneut an.
22. Verwenden Sie das Gerät nur in moderaten Klimazonen.
23. Um mögliche Gehörschäden zu vermeiden, setzen Sie sich nicht über längere Zeiträume hohen.
24. Unter der Umgebung mit Leistungsstörung / Strahlungsunempfindlichkeit kann das Radio fehlerhaft sein. Es wird automatisch wieder normal, wenn die Leistungsstörung / Strahlungsunempfindlichkeit stoppt.



STROMVERSORGUNG

Netzbetrieb

1. Vor dem Anschluss des Netzkabels an der Steckdose vergewissern Sie sich, dass Ihre Netzspannung mit den Angaben auf dem Typenschild übereinstimmt.
2. Die Aufbewahrung für das Netzkabel und den Stecker ist dafür bestimmt, das Netzkabel und den Stecker aufzubewahren, wenn Sie das Radio nicht verwenden.

Hinweis:

Um das Gerät vollständig von der Netzstromversorgung zu trennen, muss der Netzstecker ganz aus der Steckdose gezogen werden. Der Netzstecker muss immer betriebsbereit sein und darf während des bestimmungsgemäßen Gebrauchs nicht blockiert werden.

Falls das Gerät aufgrund elektrostatischer Entladung oder schneller Stoßspannung nicht mehr ordnungsgemäß funktioniert, trennen Sie das Gerät vom Netz und schließen Sie das Gerät wieder ans Netz an.

LITHIUM-BATTERIE VERWENDEN UND AUFLADEN

HINWEIS FÜR DEN ERSTMALIGEN GEBRAUCH: VOR DEM ERSTMALIGEN GEBRAUCH DES TEAMBOX LADEN SIE DIE LITHIUM-BATTERIE VOLLSTÄNDIG AUF.

Das Gerät kann über die integrierte Lithium-Batterie betrieben werden.

Während des Batteriebetriebs wird die ungefähre Batteriekapazität anhand eines 4-teiligen Batteriesymbols im LCD angezeigt. Bei sehr niedriger Batteriekapazität fängt das „leere“ Batteriesymbol an zu blinken. In solch einem Fall muss die Batterie so schnell wie möglich aufgeladen werden, um den weiteren normalen Betrieb des Geräts zu gewährleisten.

Es dauert 5-6 Stunden, um eine leere Batterie vollständig aufzuladen (bei Raumtemperatur im Standby-Modus). Das Gerät kann sowohl im Standby-Modus als auch während der Musikwiedergabe aufgeladen werden, wobei die Aufladung während der Wiedergabe länger dauert als im Standby-Modus. Während der Aufladung sind alle 4 Balken des Batteriesymbols animiert.

Das Gerät verfügt über eine zusätzliche Sicherheitsvorkehrung, die den Start des Ladevorgangs verhindert, sofern die Batterie bereits voll bzw. fast vollständig geladen ist.

HINWEIS ZUR WIEDERGABEDAUER WÄHREND DES BATTERIEBETRIEBS: Die tatsächliche Wiedergabedauer während des Batteriebetriebs ist von mehreren Faktoren abhängig, u.a.: Lautstärke Einstellung, Art der Musik (Bass bzw. schwere Musik verbraucht mehr Energie), Musikquelle, EQ-Einstellungen, Umgebungstemperatur sowie Alter der Batterie. Abhängig von diesen Faktoren variiert die Wiedergabedauer zwischen 20 und 26 Stunden bei mittlerer Lautstärke.

HINWEISE ZUR NUTZUNGSDAUER VON LITHIUM-BATTERIEN:

Falls das Gerät längere Zeit nicht verwendet werden, laden Sie die integrierte Batterie zunächst vollständig auf. Die optimale Nutzungsdauer der integrierten Batterie erreichen Sie, indem Sie die Batterie nach jedem Gebrauch des Geräts aufladen, auch wenn diese dann nur teilweise entladen ist. Die Nutzungsdauer der Batterie wird beeinträchtigt, falls das Gerät längere Zeit im entladenen Zustand verbleibt.

WARNUNG:

Versuchen Sie nicht, die integrierte Lithium-Batterie zu ersetzen oder zu reparieren. Falls Sie Zweifel bzgl. der integrierten Lithium-Batterie haben, wenden Sie sich bitte an den Kundendienst.

WARNUNG:

Bei unsachgemäßem Austausch der Batterie besteht Explosionsgefahr. Schützen Sie die Batterie vor übermäßiger Wärme wie Sonneneinstrahlung, Feuer oder ähnlichem. Batterien dürfen nicht ins Feuer geworfen oder über den Hausmüll entsorgt werden. Geben Sie verbrauchte Batterien an entsprechenden Sammelstellen für das Recycling ab.



SICHERHEITSHINWEISE ZUR INTEGRIERTEN WIEDERAUFLADBAREN LITHIUM-ION-BATTERIE

Die integrierte wiederaufladbare Lithium-Ion-Batterie kann das Gerät über einen langen Zeitraum mit Strom versorgen. Nichtsdestotrotz erreichen auch Lithium-Ion-Batterien einen Zeitpunkt, an dem sie nicht mehr aufgeladen werden können. Falls sich die Batterie auch nach mehreren Versuchen nicht mehr aufladen lässt, ist sie möglicherweise leer (Kapazität zu gering); wenden Sie sich zwecks Reparatur an service@perfectpro.eu. Falls Sie die Batterie nicht von uns ersetzen lassen möchten, müssen Sie die Batterie/das Gerät gemäß örtlich geltenden Gesetzen und Vorschriften entsorgen. Sie können sich auch an Ihren Elektronikhändler oder Ihre Abfallbehörde wenden.

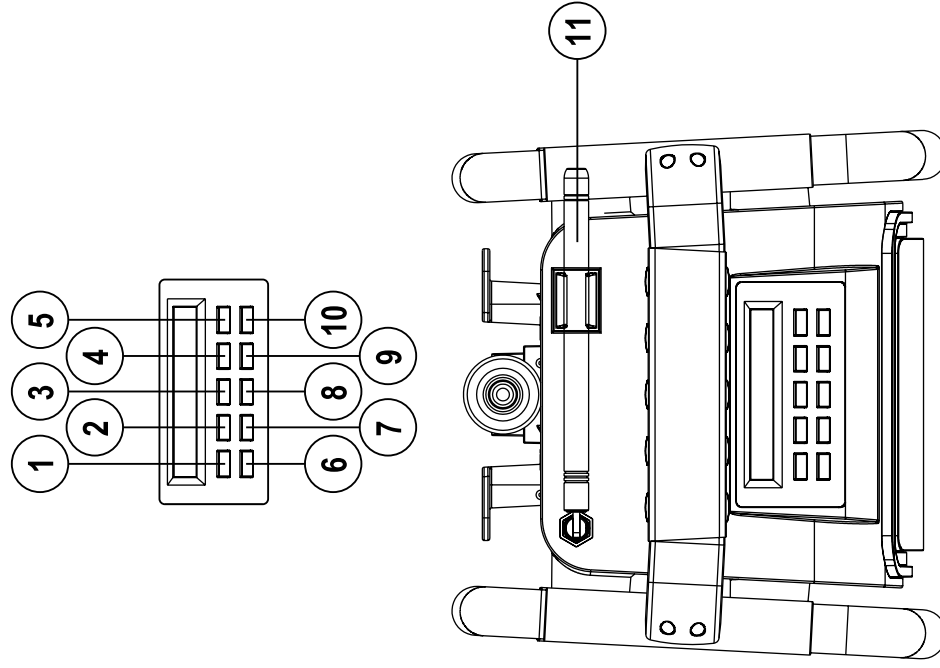
SICHERHEITSVORKEHRUNGEN FÜR DEN GEBRAUCH

- Überprüfen Sie vor dem Aufladen die Raumtemperatur; diese muss bei zwischen 0°C und 35°C (32° - 95° Fahrenheit) liegen.
- Versuchen Sie nicht, die Kunststoffabdeckung oder andere Teile des Geräts zu demontieren. Die Materialien im Inneren des Geräts können giftig sein und Hautverletzungen verursachen bzw. Ihre Kleidung beschädigen.
- Die Batterie nicht durchstechen, zerschlagen, modifizieren, werfen oder Schock aussetzen. Bei falscher Handhabung der Batterie besteht die Gefahr von Feuer, Explosion oder Verätzungen.
- Die Batterie nicht im Auto bei direkter Sonneneinstrahlung, in der Nähe von Feuer oder anderen Wärmequellen aufbewahren, aufladen oder verwenden.
- Batterie nicht in Wasser/Gewässer eintauchen, hineinwerfen oder damit befeuchten.
- Verwenden oder laden Sie die Batterie nicht, falls diese ungewöhnlich heiß, verfärbt, verformt ist bzw. falls während des Gebrauchs, der Aufladung oder der Lagerung abnormale Situationen auftreten.
- Lassen Sie die Batterie während der Aufladung nicht unbeaufsichtigt. Batterie von Babys und Kindern fernhalten.

ERSTMALIGER GEBRAUCH DES RADIOS

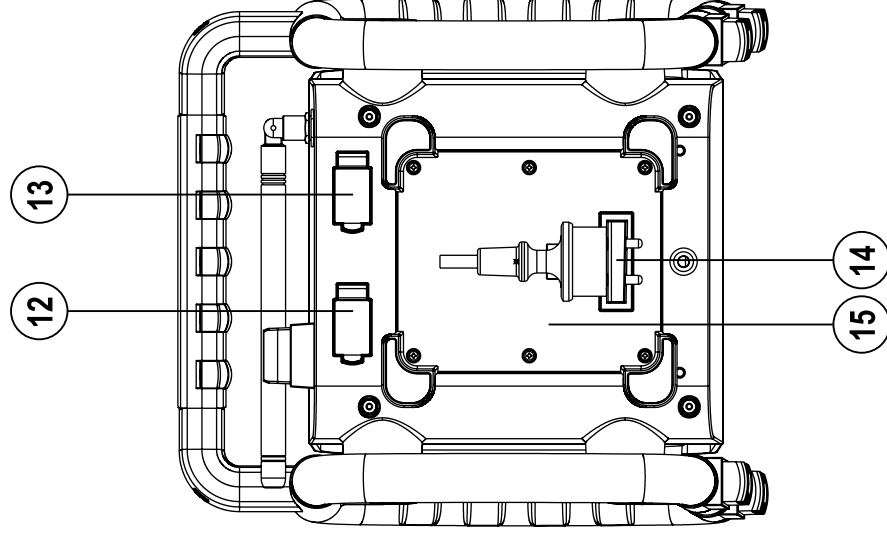
1. Stellen Sie das Radio auf einen flachen Untergrund.
2. Richten Sie die Antenne vertikal über dem Radio aus.
3. Schließen Sie das Netzkabel an eine Steckdose (AC) an. Das Radio wird eingeschaltet. Das Radio sucht dann automatisch nach Sendern der Band III DAB und UKW Frequenzbänder.
4. Nach dem Scan werden die 10 stärksten UKW-Sender als Favorit gespeichert. Das Radio schaltet nun in den Standby-Modus über und im Display werden die aktualisierte Uhrzeit und das Datum angezeigt.
5. Werden keine Signale gefunden, wird die Uhrzeit nicht aktualisiert. Stellen Sie das Radio gegebenenfalls an einen anderen Ort mit besserem Empfang.

TASTENÜBERSICHT



1. Ein-/Ausschalttaste
2. Source (Signalquelle)
3. Select / Info
4. Tuning <<
5. Tuning >>
6. Menu
7. Senderspeicher / ►||
8. EQ
9. Lautstärke -
10. Lautstärke +
11. Antenne

TASTENÜBERSICHT



12. USB-Anschluss
13. Aux-Eingang
14. Netzkabel
15. Batteriefach

DAB+ DIGITAL RADIO MODUS

Radiobetrieb

1. Ziehen Sie die Antenne vorsichtig aus. Drücken Sie die **Ein-/Ausschalttaste**, um das Radio einzuschalten.
2. Stellen Sie mit der **Taste Source** das Frequenzband DAB ein.
3. Der erst gefundene Sender der Senderliste wird wiedergegeben. Im Display erscheint der Sendername. Falls Sie das Radio bereits früher verwendet haben, schaltet das Gerät den zuletzt angehörten Sender ein.
4. Werden keine DAB-Signale empfangen, erscheint im Display die Anzeige „Service not available“. Stellen Sie das Gerät gegebenenfalls an einen anderen Ort mit besserem Empfang. Führen Sie dann eine automatische Sendersuche durch, siehe Abschnitt **„Neue Sender auffinden - DAB“**.

Sender einstellen - DAB

1. Drücken Sie die **Ein-/Ausschalttaste**, um das Radio einzuschalten.
2. Im Display wird der Name des aktuellen Senders angezeigt.
3. Drücken Sie den **Tuning <<** oder **Tuning >> Taste**, um durch die Liste der verfügbaren Sender zu scrollen.
4. Sobald der gewünschte Sender im Display erscheint, drücken Sie den **Tuning <<** oder **Tuning >> Taste**, um den Sender wiederzugeben.

Hinweis: Falls nach der Auswahl eines Senders im Display die Anzeige „Station not available“ erscheint, ist es eventuell erforderlich, das Radio an einen anderen Ort mit besserem Empfang zu stellen.

Zusatzdienste - DAB

1. Einige Radiostationen bieten einen oder mehrere Zusatzdienste an. Bietet ein Sender einen Zusatzdienst an, wird der Zusatzdienst unmittelbar nach dem primären Dienst angezeigt, wenn Sie den **Select / Info Taste** drücken.
2. Drücken Sie den **Select / Info Taste**, um den Zusatzdienst auszuwählen.

Die meisten Zusatzdienste werden nicht kontinuierlich übertragen. Falls der ausgewählte Dienst nicht verfügbar ist, schaltet das Radio automatisch den primären Dienst ein.

Anzeigeoptionen - DAB

Im DAB-Modus kann das Radio eine Vielzahl von Informationen anzeigen. Drücken Sie die **Taste Select / Info**, um durch die unterschiedlichen Anzeigeoptionen zu scrollen.

- | | |
|--------------------------|---|
| a. Lauftext | Anzeige von Laufteksten, z.B. Senderinfos, Interpret, Titelname Hotline, usw. |
| b. Programmtyp | Anzeige des aktuellen Sendertyps, z.B. Pop, Klassik, Nachrichten, usw. |
| c. Signalstärke | Anzeige der aktuellen Signalstärke. Das leere Rechteck weist auf die Mindestsignalstärke hin, die für einen zufriedenstellenden Empfang erforderlich ist. |
| d. Multiplex & Frequenz | Anzeige des Multiplex-Namens und der Frequenz des aktuell eingestellten DAB-Senders. |
| e. Bitrate & Audioformat | Anzeige der digitalen Audio-Bitrate und Audioformat. |
| f. Datum | Anzeige von aktuellem Datum. |

Neue Sender auffinden - DAB

Von Zeit zu Zeit wird es neue Sender geben. Suchen Sie Sender wie folgt:

1. Drücken Sie im DAB-Modus die **Taste Menu**. Im Display erscheint die Anzeige „Full scan“.
2. Drücken Sie den **Select / Info Taste**. Das Radio führt einen Scan aller Band III DAB-Kanäle durch.

Wenn neue Sender gefunden werden, erhöht sich der Zähleranzeige rechts im Display und die neuen gefundenen Sender werden der Senderliste des Radios hinzugefügt.

Manuelle Sendersuche - DAB

Alternativ haben Sie die Möglichkeit, manuell nach Sendern zu suchen. Anstatt das gesamte Band III automatisch zu scannen, können Sie einen Ihnen bekannten DAB-Sender direkt einstellen und alle mit diesem Sender verfügbaren Multiplex-Namen in der Senderliste speichern.

1. Drücken Sie im DAB-Modus die **Taste Menu** und Drücken Sie den **Tuning <<** oder **Tuning >> Taste**, bis im Display die Anzeige „Manual Tuning“ erscheint. Drücken Sie dann den **Select / Info Taste**.
2. Drücken Sie den **Tuning <<** oder **Tuning >> Taste**, um den gewünschten Kanal oder die Frequenz zu suchen. Drücken Sie den **Select / Info Taste**, um den ausgewählten Kanal einzuschalten.
3. Das leere Rechteck weist auf die Mindestsignalstärke hin, die für einen zufriedenstellenden Empfang erforderlich ist. Wenn Sie die Antenne ausrichten oder das Radio umstellen, verändert sich die Signalanzeige mit der Signalstärke.
4. Die im Display angezeigte Signalstärke spiegelt die Empfangsqualität des Senders wider.
5. Drücken Sie den **Select / Info Taste** um die manuelle Sendersuche zu beenden und zum normalen DAB-Betrieb zurückzukehren.

Dynamikbereich-Einstellungen (DRC)

Die Einstellung des Dynamikbereichs kann leise Töne besser hörbar machen, wenn Sie das Radio in einer lauten Umgebung benutzen.

1. Drücken Sie im DAB-Modus die **Taste Menu**.
2. Drücken Sie den **Tuning <<** oder **Tuning >>** **Taste** bis im Display die Anzeige "DRC" erscheint. Drücken Sie dann den **Select / Info Taste**.
3. Drücken Sie den **Tuning <<** oder **Tuning >>** **Taste**, um die gewünschte DRC-Einstellung auszuwählen („OFF“ ist die Standardeinstellung).
DRC Off DRC ist deaktiviert, übertragene DRC-Einstellung wird ignoriert.
DRC High DRC ist aktiviert und entspricht der Einstellung der Sendung.
DRC Low DRC beträgt ½ der Einstellung der Sendung.
4. Drücken Sie den **Select / Info Taste** um Ihre Einstellungen zu bestätigen. Das Display kehrt zur normalen Anzeige zurück.

Hinweis: Nicht alle DAB-Sendungen unterstützen die DRC-Funktion. Bei Sendungen, die DRC nicht unterstützen, sind die DRC-Einstellungen des Radios ohne Effekt.

Sender löschen - DAB

Falls Sie umziehen, werden einige der Sender in der Liste möglicherweise nicht mehr empfangen. Einige DAB-Dienste werden im Laufe der Zeit auch aufgegeben oder ändern ihren Standort oder ihre Frequenz. Zum Entfernen solcher DAB-Sender von der Senderliste können Sie diese DAB-Sender löschen.

1. Drücken Sie in DAB-Modus die **Taste Menu**.
2. Drücken Sie den **Tuning <<** oder **Tuning >>** **Taste**, bis in Display "Prune" erscheint.
3. Drücken Sie den **Select / Info Taste** um die Einstellung zu öffnen.
4. Drücken Sie den **Tuning <<** oder **Tuning >>** **Taste** zur Auswahl von "Yes" oder "No" (No ist Standardeinstellung).
Wählen Sie "Yes", um diese Funktion zu aktivieren, oder wählen Sie anderenfalls "No".
5. Drücken Sie den **Select / Info Taste** zum bestätigen Ihrer Einstellung. Das Display kehrt zum normalen Radioanzeige zurück.

HINWEIS: Wenn Sie Ihr Radio an einem anderen Standort verwenden, sollten Sie eine neue Suche nach Radiosendern durchführen (siehe Abschnitt „Neue Sender auffinden“).

UKW Radio Modus

Radiobetrieb

1. Drücken Sie die **Ein-/Ausschalttaste**, um das Radio einzuschalten.
2. Stellen Sie mit die **Taste Source** den UKW-Modus ein.
3. Schalten Sie den UKW-Modus zum ersten Mal ein, wird der voreingestellte Sender auf Speicherplatz 1 abgespielt. Wurde das Radio bereits früher benutzt, wird der zuletzt angehörte Sender eingeschaltet.
4. Drücken Sie den **Tuning <<** oder **Tuning >>** **Taste** 2 Sekunden, um die Sendersuche zu starten. Die Suche wird automatisch unterbrochen, sobald das Radio einen Sender mit ausreichender Signalstärke gefunden hat.
5. Nach einigen Sekunden wird das Display aktualisiert. Liegen RDS-Daten vor, wird der Sendername angezeigt.
6. Drücken Sie den **Tuning <<** oder **Tuning >>** **Taste** erneut 2 Sekunden um weitere Sender zu suchen.
7. Am Ende des Wellenbands setzt das Radio die Suche am anderen Ende des Wellenbands fort.

Manuelle Sendersuche - UKW

1. Drücken Sie die **Ein-/Ausschalttaste**, um das Radio einzuschalten.
2. Stellen Sie mit die **Taste Source** den UKW-Modus ein.
3. Drücken Sie den **Tuning <<** oder **Tuning >>** **Taste**, um einen UKW-Sender einzustellen. Die Frequenz ändert sich in Schritten von 50 kHz.
4. Drehen Sie die Gummiantenne für einen optimalen Empfang. Falls das Radio einen Sender mit ausreichender Signalstärke und mit verfügbaren RDS-Daten empfängt, dann erscheint im Display der Sendername.
5. Am Ende des Wellenbands setzt das Radio die Suche am anderen Ende des Wellenbands fort.

RDS - UKW

RDS (Radio Data System) ist ein System, bei dem nicht hörbare digitale Informationen zusätzlich zum normalen UKW-Radioprogramm übertragen werden. Falls das Radio einen RDS-Sender mit ausreichender Signalstärke empfängt, erscheint der Sendername im Display. Es kann einige Zeit dauern, bis die RDS-Daten übertragen werden.

RDS-Daten aufrufen

Drücken Sie, wenn Sie einen UKW-Sender mit RDS-Daten anhören, wiederholt die Taste Select / Info, um durch die Daten zu scrollen. Dies funktioniert nur, wenn das Signal stark genug und klar ist.

- Radiotext (RT) Anzeige der Nachricht über den aktuell eingestellten Sender als Lauftext.
- Programmtyp (PTY) Anzeige des jeweiligen Sendertyps, z.B. Pop, Klassik, Nachrichten, usw.
- Signalstärke Anzeige der aktuelle Signalstärke
- Frequenz Anzeige der Frequenz des aktuell eingestellten Senders.
- Datum Anzeige von Datum.

Empfindlichkeit der Sendersuche - UKW

Das Radio sucht normalerweise alle UKW-Sender einschließlich solcher mit schwächerem Signal. Sie können die automatische Sendersuche jedoch auch benutzen, um nur Sender zu finden, deren Signal stark genug für einen guten Empfang ist.

- Drücken Sie die **Ein-/Ausschalttaste**, um das Radio einzuschalten.
- Stellen Sie mit die **Taste Source** den UKW-Modus ein.
- Drücken Sie die **Taste Menu**. Im Display erscheint „Scan setting“.
- Drücken Sie den **Select / Info Taste**.
- Drücken Sie den **Tuning <<** oder **Tuning >> Taste** zur Auswahl von „All stations“ oder „Strong stations“. („Strong Stations“ ist die Standardeinstellung). Mit der Option „Strong Stations“ sucht das Radio nur nach Sendern mit starkem Signal.
- Drücken Sie den **Select / Info Taste** zur Bestätigung Ihrer Einstellungen. Das Display kehrt zur normalen Radioanzeige zurück.

SENDERSPEICHER

Sender im DAB- oder UKW-modus speichern

Sie können bis zu 20 Radiosender speichern – 10 DAB-Sender und 10 UKW-Sender. Die Speichereinstellungen werden auch bei einem Stromausfall beibehalten.

- Drücken Sie die **Ein-/Ausschalttaste**, um das Radio einzuschalten.
- Stellen Sie mit die **Taste Source** den DAB- oder UKW-Modus ein.
- Stellen Sie den gewünschten Radiosender ein.
- Halten Sie die entsprechende **Speichertaste** gedrückt, bis im Display die Anzeige z.B. „Preset 01 empty“ erscheint.
- Drücken Sie den **Tuning <<** oder **Tuning >> Taste** bis den gewünschten Speicherplatz markiert ist (1-10) und drücken Sie den **Select /Info Taste** zum bestätigen.
- Wiederholen Sie die Schritte 3 bis 5 für weitere Sender.

Gespeicherte Sender im DAB- oder UKW-modus aufrufen

- Drücken Sie die **Ein-/Ausschalttaste**, um das Radio einzuschalten.
- Stellen Sie mit die **Taste Source** den DAB- oder UKW-Modus ein.
- Drücken sie kurz den **Speichertaste**.
- Drücken Sie den **Tuning <<** oder **Tuning >> Taste** bis den gewünschten Speicherplatz markiert ist (1-10) und drücken Sie den **Select /Info Taste** zum bestätigen.
- Im Display erscheint, z.B. „P01“.

BLUETOOTH

Im Bluetooth-Modus Ihres **Teambox** können Sie Audio, Audio von Videodateien und Musik von Bluetooth-fähigen Gerät wie z.B. Handys, Computern, Tablets usw. über den Lautsprecher Ihres **Teambox** abzuspielen.

- Wenn sich ein Bluetooth-Gerät wie Ihres **Teambox** im „discoverable“ Modus befindet, kann es von bzw. mit anderen Bluetooth-Geräten erkannt, gekoppelt und verbunden werden.
 - Die „Bluetooth-Kopplung“ findet statt, wenn zwei Bluetooth-Geräte eine Verbindung eingehen und miteinander kommunizieren.
- Die Bluetooth-Verbindungsleistung kann je nach Bluetooth-Gerät variieren. Informieren Sie sich über die Bluetooth-Fähigkeit Ihres externen Geräts, bevor Sie es mit Ihres **Teambox** verbinden. Einige gekoppelte Bluetooth-Geräte unterstützen möglicherweise nicht alle Funktionen des Radios.

Eine Bluetooth-Verbindung ermöglicht eine Audioverbindung mit einer Reichweite von ungefähr 10 Meter. Wenn Sie zwei Bluetooth-fähige Geräte miteinander verbinden, empfehlen wir, dass diese nicht weiter als 2 bis 3 Meter voneinander entfernt sind. Falls andere aktive Bluetooth-Geräte während der Verbindung vorhanden sind, können Betriebsstörungen auftreten.

Bluetooth ist eine Funkkommunikationstechnologie für kurze Reichweiten und Bluetooth- Geräte sind normalerweise in der Lage, in einem normal großen Raum oder Büro reibungslos miteinander zu kommunizieren. Die Zuverlässigkeit einer Bluetooth-Verbindung über mehrere Räume hinweg hängt von der Bauweise des jeweiligen Gebäudes ab.

Die Bluetooth-Kommunikationsreichweite kann deutlich reduziert werden, falls das Signal feste Gegenstände durchdringen muss. Menschen, Ziegel- und Betonwände, sowie schwere Möbel oder Bücherschränke werden die effektive Reichweite Ihrer Bluetooth-Geräte mehr oder weniger stark beeinträchtigen. Glass, Gipswände oder holzverkleidete Wände sowie Büropartitionen haben einen weniger gravierenden aber dennoch wahrnehmbaren Effekt. Metallrohre, mit Folie ausgekleidete Gipskartonplatten, Metallfensterrahmen und häusliche Kabel können ebenfalls einen negativen Effekt

haben. Reduzieren Sie den Abstand zwischen Ihren Bluetooth-Geräten, falls Sie Kommunikationsstörungen feststellen.

Wi-Fi-Netzwerke und schnurlose Telefone verwenden oft die gleichen Funkfrequenzen wie Bluetooth und können daher Störungen verursachen. Falls Sie Störungen feststellen, dann stellen Sie Ihres **Teambox** oder eines der anderen betroffenen Geräte um.

Die Bluetooth-Fähigkeit erlaubt Ihres Teambox, Audioinhalte von vielen anderen Bluetooth-fähige Geräten wie z.B. Handys, PCs oder Tablets zu empfangen. Sie können immer nur ein externes Bluetooth-Gerät mit dem Soundsystem verbinden. Ihres **Teambox** unterstützt die nachfolgenden Bluetooth-Profile und Funktionen.

- Ihr Radio unterstützt A2DP (Advanced Audio Distribution Profile), eine Stereo-Audioverbindung zur Übertragung von Stereomusik von PCs, Handys, usw. SBC- und AAC-Audiocodes werden unterstützt.
- Ihr Radio unterstützt AVRCP (Audio Video Remote Control Profile), das Ihrem Radio ermöglicht, die Musikwiedergabe eines verbundenen Geräts zu steuern.

Hinweis: Einige Handys werden möglicherweise von Ihres **Teambox** getrennt, wenn Sie einen Anruf tätigen oder empfangen. Einige Geräte schalten die Bluetooth-Audioübertragung temporär stumm, wenn sie Textnachrichten oder E-Mails erhalten oder andere Ursachen auftreten. Dies liegt an den verbundenen Geräten und ist keine Fehlfunktion Ihres **Teambox**.

Bluetooth mit einem Handy koppeln

1. Drücken Sie die **Ein-/Ausschalttaste**, um das Radio einzuschalten.
2. Stellen Sie mit die **Taste Source** den Bluetooth-Modus ein.
3. Im Display wird **“Connecting”** angezeigt, falls Ihres **Teambox** noch nicht mit Ihrem Handy gekoppelt wurde.
4. Öffnen Sie an Ihrem Handy das Einstellungsmenü und wählen Sie in der Bluetooth-Geräteliste **“Teambox”** (Die Bluetooth-Anleitungen können je nach Handy variieren. Informieren Sie sich in der Bedienungsanleitung Ihres Handys entsprechend).
5. Nach der erfolgreichen Bluetooth-Kopplung wird im Display der Name des gekoppelten Handys angezeigt.
6. Der Name des gekoppelten Handys wird auf dem Display angezeigt.

Musik von Ihrem Handy abspielen

1. Drücken Sie die **Ein-/Ausschalttaste**, um das Radio einzuschalten.
2. Stellen Sie mit die **Taste Source** den Bluetooth-Modus ein.
3. Öffnen Sie an Ihrem gekoppelten Handy den Media Player und starten Sie die Wiedergabe.
4. Sie können die Wiedergabe direkt am Handy oder mit den Tasten **Senderspeicher** / **▶||**, **Tuning <<**, und **Tuning >>** am Radio steuern.
5. Wenn die Wiedergabe beginnt, wird der Name des Songs im Display angezeigt.

Anzeigeoptionen - Bluetooth

Im DAB-Modus kann das Radio eine Vielzahl von Informationen anzeigen. Drücken Sie die **Taste Select / Info**, um durch die unterschiedlichen Anzeigeoptionen zu scrollen.

- | | |
|----------------------|--|
| a. Titel | Anzeige des aktuellen Titels. |
| b. Künstler | Anzeige des Künstlers für den aktuellen Titel. |
| c. Album | Name des Albums, zu dem der aktuelle Titel gehört. |
| d. Uhrzeit und Datum | Anzeige des aktuelle Uhrzeit und Datum. |

Geräteliste – Früher verbundene Geräte erneut verbinden

Auf dem Radio können Sie ein Gerät in der Geräteliste auswählen, um die Verbindung wiederherzustellen. Die Namen der gekoppelten Geräte werden angezeigt, wenn sie auf dem Gerät festgelegt sind. Konsultieren Sie das Handbuch für Ihr Handy.

Sie konsultieren die Geräteliste wie folgt:

1. Drücken Sie im Bluetooth-Modus die **Taste Menu**.
2. Drücken Sie den **Tuning <<** oder **Tuning >>** **Taste** zur Auswahl von "Device list" und drücken Sie den **Select / Info Taste**.
3. Drücken Sie den **Tuning <<** oder **Tuning >>** **Taste** und wählen Sie ein Bluetooth-Gerät in der Liste aus.
4. Falls Sie das ausgewählte Mobilgerät erneut verbinden möchten, drücken Sie den **Select / Info Taste** zum Aufbau der Verbindung.

HINWEIS: Das Radio zeigt nur die Bluetooth-Namen der letzten 8 Mobilgeräte an, mit denen das Radio verbunden war.

Neustart der Bluetooth-Kopplung

Die Bluetooth-Funktion kann für verschiedene Funktionsweisen eingestellt werden, siehe unten:

1. Betätigen Sie im Bluetooth-Modus die **Taste Menu**.
2. Drücken Sie den **Tuning <<** oder **Tuning >>** **Taste** zur Auswahl der „Discoverable“ Optionen, und drücken Sie dann auf den Select / Info Taste.
3. Das LCD-Display zeigt „Connecting“ an, und das Bluetooth des Radios ist für die Verbindung mit einem anderen Mobiltelefon bereit da es jetzt im Erkennungsmodus ist.

Hinweis: „Discoverable“ ist die Option, die das Bluetooth dieses Radios von Ihrem Mobiltelefon trennt und den „Erkennungsmodus“ aktiviert. Dadurch wird die Bluetooth-Kopplung mit einem anderen Gerät ermöglicht. Wenn kein anderes Gerät gekoppelt wird, versucht die Bluetooth-Funktion automatisch, die Verbindung zum letzten Gerät wiederherzustellen, wenn sie aus- und dann wieder eingeschaltet wird.

Im Bluetooth-Modus wird der automatische Stromsparmodus aktiviert. Erfolgt am Aux- Eingang innerhalb von 15 Minuten keine Signaleingabe*, schaltet das Radio automatisch den Standby-Modus ein. Drücken Sie die Ein-/Ausschalttaste, um das Gerät wieder einzuschalten.

* Der Standby-Modus wird auch dann aktiviert, wenn das eingehende Signal vom externen Gerät zu schwach ist und vom

USB Modus

VERWENDEN SIE DEN USB EINGANG NICHT BEI REGEN ODER UNTER FEUCHTEN BEDINGUNGEN, DAMIT KEINE FEUCHTIGKEIT IN DAS RADIO EINDRINGEN KANN. HALTEN SIE DIE GUMMIABDECKUNG UNTER SOLCHEN BEDINGUNGEN GUT VERSCHLOSSEN.

USB-Speichermedien können mit dem Radio für die Wiedergabe von MP3, AAC, FLAC oder WAV-Dateien benutzt werden.

Der Radio wurde mit einer großen Palette von USB-Speichermedien getestet mit einer Kapazität von 2 bis zu 32 GB unterstützt. Da allerdings eine besonders große Anzahl von USB-Speichermedien auf dem Markt vorhanden ist, kann es nicht garantiert werden, dass alle Speichermedien mit dem Radio benutzt werden können. Um mit dem Radio benutzt werden zu können, müssen die verwendeten Speichermedien mit den Dateisystemen FAT oder FAT 32 formatiert sein.

Die unterstützten Audio-Abspielformate sind MP3, AAC, FLAC und WAV. Die Abspielfunktion unterstützt keine Dateien mit DRM-Schutz (unabhängig vom Format). Stellen Sie sicher, dass die Gummiabdeckung nach der Benutzung wieder gut verschlossen wird, um das Eindringen von Schmutz und Feuchtigkeit zu verhindern. Ziehen Sie den USB-Stick während der Wiedergabe nicht ab. Dies kann zu Schäden an den USB-Stick führen, oder machen Sie Dateien nicht lesbar.

USB-Stick ist nicht im Lieferumfang enthalten.

Hinweis: Wenn das Radio einen USB-Stick abspielt, wird aufgrund des höheren Energieverbrauchs dieser Funktion das Laden der Batterien angehalten, um die normale Funktion und die Qualität des USB-Abspielvorgangs zu wahren. Sobald der USB-Stick entfernt wird, wird der normale Ladevorgang fortgesetzt.

Einsetzen und Entfernen eines USB-Speichergeräts

Stecken Sie vorsichtig ein USB-Speichergerät in den USB-Anschluss. Um das USB-Speichergerät zu entfernen, ziehen Sie es einfach heraus.

Wiedergabe

1. Schalten Sie das Radio mit der **Ein-/Ausschalttaste** ein.
2. Stellen Sie mit die **Taste Source** den USB-Modus ein. Auf dem Display erscheint "READING". Das Radio liest den Inhalt des Speichermediums ein. Dieser Vorgang dauert ca. 30 Sekunden, je nachdem wie groß die Kapazität des Speichermediums ist.
3. Das Radio startet die Wiedergabe von der ersten Datei (Musiktitel) in dem ersten Verzeichnis. Ohne Speichermediums, erscheint auf dem Display "NO USB STICK".
4. Drücken Sie die **Senderspeicher / ▶ || Taste** um die Wiedergabe vorübergehend anzuhalten und drücken Sie die **Senderspeicher / ▶ || Taste** erneut, um mit der Wiedergabe fortzufahren.
5. Drücken Sie die **Tuning >> Taste**, um zur nächsten Datei zu springen.
6. Drücken Sie die **Tuning << Taste**, um zur vorheriges Datei zu springen.
7. Um die Datei vorwärts oder rückwärts zu spülen, halten Sie die **Tuning >> Taste** oder **Tuning << Taste** bis Sie die gewünschte Position erreicht hat.
8. Um das nächste Verzeichnis zu wählen, drücken un halten Sie die **Menu Taste** vor 2 Sekunden und drücken sie den **Tuning >> Taste** oder **Tuning << Taste** bis Sie die gewünschte Verzeichnis erreicht hat.
9. Drücken Sie den **Select /Info Taste** zum bestätigen
Das Radio unterstützt eine begrenzte Anzahl Verzeichnisse und Dateien in der Dateiauswahl-funktion:

Modi	Max. Anzahl Verzeichnisse	Max. Anzahl Dateien
Stopp	999 (mit Verzeichnissnamen)	9999 (mit Dateinamen)
Abspielen	999 (1-99 mit Verzeichnissnamen) (100-999 ohne Verzeichnissnamen)	9999 (1-999 mit Dateinamen) (1000-9999 ohne Dateinamen)

Wiedergabesteuerung

Während der Wiedergabe von USB-Stick:

1. Drücken Sie die **Taste Menu**.
2. Drücken Sie den **Tuning <<** oder **Tuning >>** Taste zur Auswahl von "USB setting".
Drücken Sie den **Select / Info Taste**.
3. Drücken Sie den **Tuning <<** oder **Tuning >>** **Taste** zur Auswahl von der gewünschten Option, drücken Sie den **Select / Info Taste** zum bestätigen.

Das Radio zeigt die folgenden Optionen:

Normal play → Repeat track → Repeat folder → Repeat all → Shuffle

Normal play wiederholt den aktuellen Titel.
Repeat track wiederholt alle Dateien innerhalb der aktuellen Verzeichnisse.
Repeat folder wiederholt alle Titel aus den Speichermedien.
Repeat all die Dateien auf den Speichermedien werden in zufälliger Reihenfolge abgespielt.

Der ausgewählte Wiedergabemodus wird oben rechts im Display mit einem Symbol angezeigt. Wenn der normale Wiedergabemodus ausgewählt ist, wird kein Symbol angezeigt.

Anzeigemodi

Drücken Sie die **Taste Select / Info** und Sie erhalten Zugriff auf die folgenden Informationen:

(nur wenn die Information in den relevanten Dateien verfügbar ist)
Spieldzeit → Titel → Ordnername → Künstlername → Albumname → Gesamtzahl der Dateien → Bitrate der Musik → Uhrzeit und Datum → Spieldzeit.

AUX IN MODUS

Unter der Gummabdeckung an der Rückseite des Geräts befindet sich ein 3,5 mm Aux-In Stereoeingang, an den externe Audiogeräte wie z.B. MP3-Spieler oder CD-Spieler angeschlossen werden können (Aux-Kabel nicht im Lieferumfang enthalten).

1. Schließen Sie ein Audiogerät an den Aux-Eingang an.
2. Schalten Sie mit die **Taste Source** den AUX-In-Modus ein. Im Display erscheint "AUX IN".
3. Starten Sie die Wiedergabe am externen Gerät.
4. Stellen Sie sowohl am Radio als auch am externen Gerät die Lautstärke entsprechend ein.
5. Schließen Sie nach dem Gebrauch die Gummabdeckung, damit weder Feuchtigkeit noch Staub in die Anschlüsse oder das Radio eindringen können.

HINWEIS: Verwenden Sie den Aux-Eingang nicht bei Regen oder unter feuchten Bedingungen, damit keine Feuchtigkeit in das Radio eindringen kann. Halten Sie die Gummabdeckung unter solchen Bedingungen gut verschlossen.

Im AUX-IN-Modus wird der automatische Stromsparmodus aktiviert. Erfolgt am Aux-Eingang innerhalb von 15 Minuten keine Signaleingabe*, schaltet das Radio automatisch den Standby-Modus ein. Drücken Sie die **Ein-/Ausschalttaste**, um das Gerät wieder einzuschalten.

UHRZEIT MANUELL EINSTELLEN

Wenn Sie innerhalb von 30 Sekunden keine Taste drücken, verlässt das Radio die Uhrzeiteinstellung und Ihre Einstellungen werden gelöscht.

1. Drücken Sie die **Ein-/Ausschalttaste**, um das Radio einzuschalten.
 2. Drücken Sie die **Taste Menu**.
 3. Drücken Sie den **Tuning <<** oder **Tuning >>** **Taste** zur Auswahl von "System settings" und drücken Sie den **Select / Info Taste**.
 4. Drücken Sie den **Tuning <<** oder **Tuning >>** **Taste** zur Auswahl von "Time/Date" und drücken Sie den **Select / Info Taste**.
 5. Drücken Sie den **Tuning <<** oder **Tuning >>** **Taste** zur Auswahl von "Set Time/Date" und drücken Sie den **Select / Info Taste**.
 6. Die Tagesanzeige beginnt zu blinken.
 7. Drücken Sie den **Tuning <<** oder **Tuning >>** **Taste** zur Einstellung des Datums.
 8. Drücken Sie den **Select / Info Taste** zum bestätigen, die Monatsanzeige beginnt zu blinken.
 9. Drücken Sie den **Tuning <<** oder **Tuning >>** **Taste** zur Einstellung des Monats.
 10. Drücken Sie den **Select / Info** zum bestätigen, die Jahresanzeige beginnt zu blinken.
 11. Drücken Sie den **Tuning <<** oder **Tuning >>** **Taste** zur Einstellung des Jahres und drücken Sie den **Select / Info** zur Einstellung, die Stundenanzeige beginnt zu blinken.
 12. Drücken Sie den **Tuning <<** oder **Tuning >>** **Taste** zur Einstellung der Stunden.
 13. Drücken Sie den **Select / Info** zum bestätigen, die Minutenanzeige beginnt zu blinken.
 14. Drücken Sie den **Tuning <<** oder **Tuning >>** **Taste** zur Einstellung der Minuten.
 15. Drücken Sie den **Select / Info** zum bestätigen und um die Uhrzeiteinstellung zu beenden.
- Automatische Aktualisierung der Uhrzeit**
- Das Radio kann die Zeit vom DAB- oder UKW-Signal synchronisieren.
1. Drücken Sie die **Ein-/Ausschalttaste**, um das Radio einzuschalten.
 2. Drücken Sie die **Taste Menu**.
 3. Drücken Sie den **Tuning <<** oder **Tuning >>** **Taste** zur Auswahl von "System settings" und drücken Sie den **Select / Info Taste**.

- Drücken Sie den **Tuning << oder Tuning >> Taste** zur Auswahl von "Time/Date" und drücken Sie den **Select / Info Taste**.
- Drücken Sie den **Tuning << oder Tuning >> Taste** zur Auswahl von "Time auto update" und drücken Sie den **Select / Info Taste**.
- Drücken Sie den **Tuning << oder Tuning >> Taste** zur Auswahl von:

„Any“ Das Datum wird von der aktuellen DAB- oder FM-Station synchronisiert.

" DAB" Das Datum wird von der aktuellen DAB-Station synchronisiert.

" FM" Das Datum wird vom aktuellen UKW-Sender synchronisiert.

"No update" Das Radio synchronisiert Datum / Uhrzeit nicht.

- Drücken Sie den **Select / Info Taste** zum bestätigen und um die Einstellung zu beenden.

Hinweis: Bei ausreichendem Signal und Auswahl der Option "DAB" oder „FM" wird die Uhrzeit automatisch aktualisiert. Die Zeitsynchronisation kann einige Minuten dauern.

EQUALISER

Wenn der voreingestellte Sound nicht gefällt, können Sie die Hochtון- und Tieftoneinstellungen wie folgt konfigurieren:

- Drücken Sie die **Ein-/Ausschalttaste**, um das Radio einzuschalten.
- Drücken Sie die **EQ Taste**.
- Drücken Sie den **Tuning << oder Tuning >> Taste** zur Auswahl von Neutral → Rock → Indoor → Jazz → Outdoor
- Drücken Sie den **Select / Info Taste** zum Bestätigen.

SPRACHEINSTELLUNGEN

Sie haben die Möglichkeit, unterschiedliche Menüsprachen für das Radio einzustellen.

- Drücken Sie die **Ein-/Ausschalttaste**, um das Radio einzuschalten.
- Drücken Sie die **Taste Menu** Drücken Sie den **Tuning << oder Tuning >> Taste** zur Auswahl von "Systems settings".
- Drücken Sie den **Select / Info Taste**; Drücken Sie den **Tuning << oder Tuning >> Taste** zur Auswahl von "Language".
- Drücken Sie den **Select / Info Taste**.
- Drücken Sie den **Tuning << oder Tuning >> Taste** zur Auswahl der gewünschten Sprache (Englisch ist die Standardeinstellung).
- Drücken Sie den **Select / Info Taste**. Das Menü wird nun in der ausgewählten Sprache angezeigt.

SOFTWAREUPDATE

Von Zeit zu Zeit können neue Software-Funktionen für Ihr Radio entwickelt werden. Der **Teambox** ist daher so ausgelegt, dass er die interne Software über eine USB-Verbindung aktualisieren kann.

Starten Sie ein Update nur, wenn dies vom Kundendienst empfohlen wird. Durch das Aktualisieren der Software können alle Radiostationen und Alarminstellungen gelöscht werden.

SOFTWARE-VERSION

Die Anzeige der Software-Version kann nicht geändert werden und dient nur Ihrer Information.

- Drücken Sie die **Ein-/Ausschalttaste**, um das Radio einzuschalten.
- Drücken Sie die **Taste Menu** und Drücken Sie den **Tuning << oder Tuning >> Taste** zur Auswahl von "System settings".
- Drücken Sie den **Select / Info Taste**; Drücken Sie den **Tuning << oder Tuning >> Taste** zur Auswahl von "SW version".
- Drücken Sie den **Select / Info Taste** um die Software-Version anzuzeigen.

SYSTEMRÜCKSTELLUNG

Falls Ihr Radio nicht ordnungsgemäß funktioniert oder Anzeigen im Display fehlen bzw. unvollständig sind, führen Sie bitte wie folgt eine Rückstellung durch.

- Drücken Sie die **Ein-/Ausschalttaste**, um das Radio einzuschalten.
- Drücken Sie die **Taste Menu**.
- Drücken Sie den **Tuning << oder Tuning >> Taste** zur Auswahl von "System settings. Drücken Sie den **Select / Info Taste**.
- Drücken Sie den **Tuning << oder Tuning >> Taste** zur Auswahl von "Factory Reset". Drücken Sie den **Select / Info Taste**.
- Drücken Sie den **Tuning << oder Tuning >> Taste** zur Auswahl von "Yes" oder "No".
Wählen Sie "Yes" für die Rückstellung oder "No" falls Sie das System nicht zurückstellen möchten.
- Drücken Sie den **Select / Info Taste** um die Rückstellung zu starten.
- Das System führt eine vollständige Rückstellung durch. Alle Favoriteinstellungen und die Senderliste werden gelöscht. Alle Einstellungen werden auf die Werkseinstellungen zurückgesetzt, und dann führt das Radio einen Scan nach Band III DAB-Kanälen und UKW-Sendern durch.

Bei Fehlfunktion aufgrund elektrostatischer Entladung führen Sie eine Rückstellung wie oben beschrieben durch, um den normalen Betrieb wiederherzustellen. Falls Sie die Rückstellung wie oben beschrieben nicht durchführen können, ist es erforderlich, den Netzstecker zu ziehen und anschließend wieder einzulegen bzw. anzuschließen.

HINTERGRUNDBELEUCHTUNG

Konfiguration der LCD-Hintergrundbeleuchtung

1. Drücken Sie die **Ein-/Ausschalttaste**, um das Radio einzuschalten.
2. Drücken Sie die **Taste Menu** und Drücken Sie den **Tuning <<** oder **Tuning >>** **Taste** zur Auswahl von "System settings".
3. Drücken Sie den **Select / Info Taste**; Drücken Sie den **Tuning <<** oder **Tuning >>** **Taste** zur Auswahl von "Backlight".
4. Drücken Sie den **Select / Info Taste**, um das Menü für die Anpassung der LCD-Hintergrundbeleuchtung aufzurufen.
5. Drücken Sie den **Tuning <<** oder **Tuning >>** **Taste** zur Auswahl von "Radio on" um die Hintergrundbeleuchtung einzustellen, wenn das Radio in Betrieb ist;
6. Oder Drücken Sie den **Tuning <<** oder **Tuning >>** **Taste** zur Auswahl von "Radio standby", um die Hintergrundbeleuchtung im Standby-Modus einzustellen.
7. Drücken Sie den **Select / Info Taste**.
8. Drücken Sie den **Tuning <<** oder **Tuning >>** **Taste** zur Auswahl von high/medium/low/off.
9. Drücken Sie den **Select / Info Taste**.

ZUSÄTZLICHE TELESKOPANTENNE

Verwenden Sie diese Antenne an Orten oder in Gegenden mit schwachem oder sehr schwachem Radioempfang (UKW/DAB/DAB+).

ACHTUNG: Die Standardantenne des Radios ist flexibel. Die Teleskopantenne ist nicht flexibel und lässt sich nicht knicken und sollte daher vorsichtig verwendet werden. Gebrochene oder geknickte Antennen fallen nicht unter die Garantie.

Installation: Schrauben Sie die flexible Standardantenne vorsichtig ab. Lockern Sie die Antenne zunächst vorsichtig mit einem Maulschlüssel (Größe 14) – links herum drehen. Schrauben Sie die Teleskopantenne an und ziehen diese vorsichtig mit einem Maulschlüssel (Größe 14) fest – rechts herum drehen.

ACHTUNG: Wenden Sie beim Anschluss der Antennen nicht zu viel Kraft an, um nicht das Gewinde der Antenne zu beschädigen oder die Antenne abzubrechen.

GARANTIE

Dieses Gerät kommt mit einer 2-jährigen eingeschränkten Garantie.

WARNUNG! Die Garantie wird nichtig, falls die Abdeckung geöffnet und das Gerät modifiziert oder verändert wurde!

Die Garantie des Radios erstreckt sich nicht auf folgendes:

- Schäden aufgrund falscher Nutzung, Missbrauch, Fahrlässigkeit, Unfällen, Änderungen oder nicht genehmigter Reparaturen.
- Normale(r) Abnutzung und Verschleiß.
- Die Teleskopantenne wurde gebrochen oder geknickt.

ÖFFNEN SIE NIEMALS DAS GEHÄUSE DES GERÄTS. DER HERSTELLER HAFTET NICHT FÜR SCHÄDEN AUFGRUND UNSACHGEMÄSSER HANDHABUNG. DAS TYPENSCHILD BEFINDET SICH AN DER RÜCKSEITE DES GERÄTS.

TECHNISCHE DATEN

Stromversorgung

AC-Netzteil: 230 V ~ 50/60Hz

Integrierte Lithium-Polymer-Batterie: 11.1 v, 4000mAh

Frequenzbereich

DAB 174.928 – 239.200 MHz

UKW 87,5 – 108 MHz

Kreislauf

USB:

5V 1A zum Aufladen eines Handys über ein autorisiertes USB-Kabel

Lautsprecher: ø5 Zoll + ø1 Zoll

Ausgangsleistung: 25 watt

Aux-Eingang: 3,5 mm Stereo

Antennensystem: DAB-Antenne

UKW-Antenne

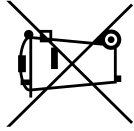
Bluetooth

Version 4.1

Unterstützt Bluetooth-Profile A2DP und AVRCP.

Das Unternehmen behält sich das Recht vor, die technischen Daten jederzeit ohne besondere Vorankündigung zu ändern.

Umweltgerechte Entsorgung



Dieses Produkt besteht aus hochwertigen Teilen und Materialien, die wiederverwertet und recycelt werden können. Entsorgen Sie das Gerät nicht über den normalen Haushaltsmüll. Geben Sie es an einer Sammelstelle für das Recycling von elektrischen und elektronischen Geräten ab. Dieses Symbol auf dem Gerät, in der Bedienungsanleitung und auf der Verpackung weist auf diese Art der Entsorgung hin.

Informieren Sie sich auf Ihrer Gemeinde über örtliche

Sammelstellen. Recyceln Sie Altgeräte, um die Umwelt zu schützen.



Dieses Gerät ist gemäß geltenden EU-Richtlinien geräuschgedämpft.

Das Produkt entspricht den Europäischen Richtlinien 2005/32/EC und 2014/53/EU.

Dieses Gerät entspricht der Sicherheitsnorm DIN EN 60065 (VDE 0860) und somit der internationalen Sicherheitsnorm IEC 60065. Das Gehäuse des Geräts darf unter keinen Umständen geöffnet werden. Der Hersteller haftet nicht für Schäden aufgrund unsachgemäßer Nutzung.

Das Typenschild befindet sich an der Unterseite des Geräts.



Perfectpro B.V.
Everdenberg 9A
Oosterhout
The Netherlands
www.perfectpro.eu